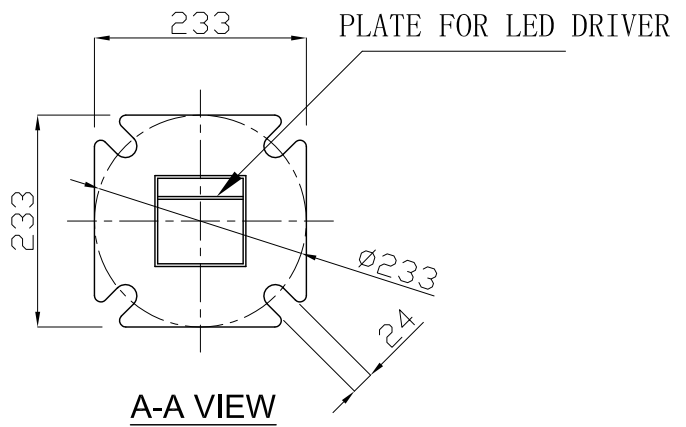
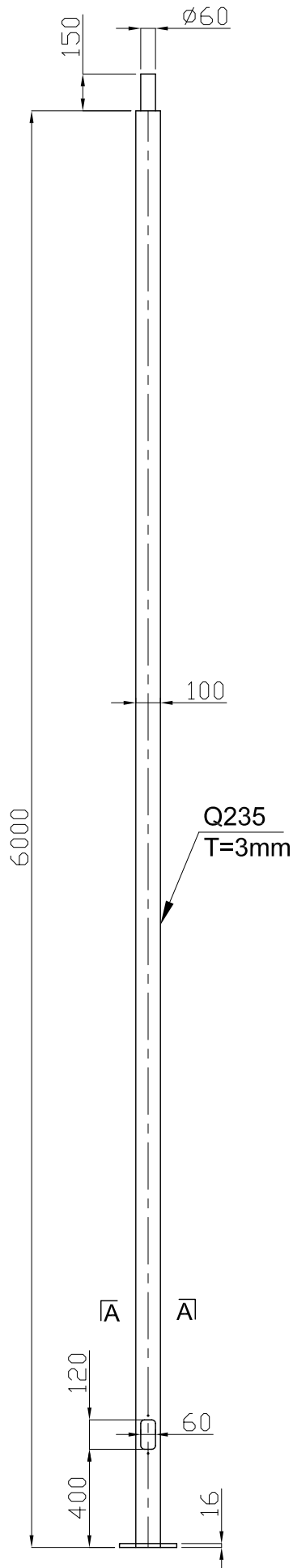


6M SQUARE POLE



NOTES:

1. MATERIAL: Q235; WALL THICKNESS=3MM.
2. SURFACE FINISH: HOT DIP GALVANIZATION OR POWDER COATED AFTER HOT DIP GALVANIZATION.
3. ALL DIMENSIONS ARE IN MILLIMETER.