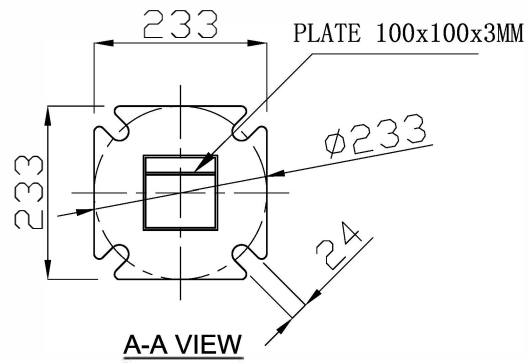
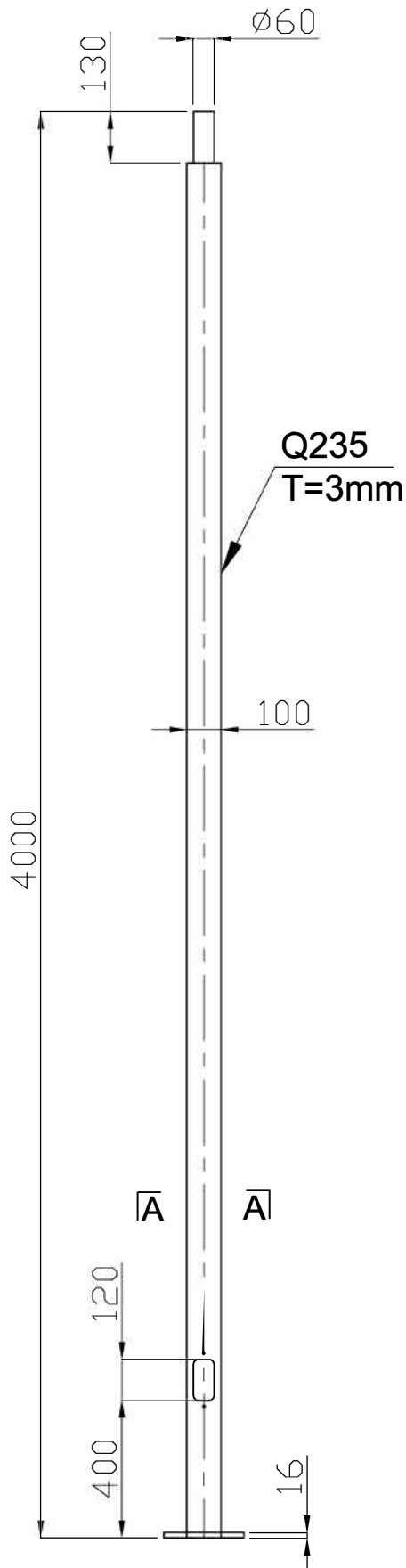


# 4M SQUARE POLE



**NOTES:**

1. MATERIAL: Q235; WALL THICKNESS=3MM.
2. SURFACE FINISH: POWDER COATED AFTER HOT DIP GALVANIZATION.
3. ALL DIMENSIONS ARE IN MILLIMETER.



**HOGAN LED PROFILES**

www.hoganledprofiles.com

PRODUCT		4M SQUARE POLE			
PROJECT				Quantity	Drawing NO.
Designed	S.M.	Date		G.W.(kg)	HLP400-SQ
Checked	B.S.D.	Date		Material:	
Approved	G.W.	Date	Feb. 17		