

XLN100 MODULAR LED SLOTTED DOWNLIGHT

XLN100 is a linear recessed LED downlight series that can be used for residential or commercial projects. Product is available in several size configurations and optional beam angles. Is ideal for showrooms, galleries, retail environments, hotels & hospitality, and others.

ELECTRICAL PARAMETERS

Input Voltage:	100-240VAC
Power Consumption:	Multiple 3W
LED Driver Classification:	Constant Current
Light Source Classification:	Osram LED

MECHANICAL SPECIFICATIONS

IP Protection Rating:	IP44
Profile Dimensions - Width:	44mm
Profile Dimensions - Depth:	56mm
Nominal Lengths:	44mm / 75mm / 148mm / 280mm / 413mm
Construction Material:	Die Cast Aluminium
Standard Colour/Finish:	Black / White / Silver
Recommended Ambient Temp:	-20°C - 45°C

CONFIGURATION OPTIONS

- Non standard colour combinations available by request
- Trimless version available by request - XLN200 Series
- DALI dimmable LED driver available by request - XLN300

PHOTOMETRIC INFORMATION

Typical Lumen Efficacy:	100lm/w
CCT Colour Temperature:	2700K / 3000K / 4000K / 6500K
Colour Rendering (Ra):	>85Ra
Beam Angle/Viewing Angle:	100°



CONTROL OPTIONS

This product can be customised or configured according to the needs of your project. Dimming and control options are available by special request. Control protocols include DALI, Casambi, Wireless, 1-10V, analogue dimming.

COMPLIANCE & CERTIFICATION



- IESNA2002
- AS/NZS60598, LM79, LM80
- Lifespan: Exceeds 50,000hrs @ L70



DIMMING COMPATIBILITY

- XLN fittings are supplied with phase dimmable LED drivers
- DALI dimmable LED driver available by special request
- Non-dimmable version available by special request

ORDERING INFORMATION

Model Number:	XLN100
Specify LED CCT:	2700K / 3000K / 4000K / 6000K
Specify Module Length:	44mm / 75mm / 148mm / 280mm / 413mm
Specify Finish/Colour:	White / Black / Black-White
Control Option:	Non-Dimmable / DALI / Phase Dim

All product details are subject to change without notice. Final specifications may vary.

toll-free: 1300 295 367 email: mail@industrialight.com.au sales reps: mobile: 0488 839 917 mobile: 0488 844 503

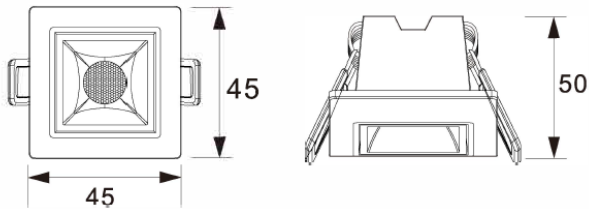


XLN100 MODULAR LED SLOTTER DOWNLIGHT

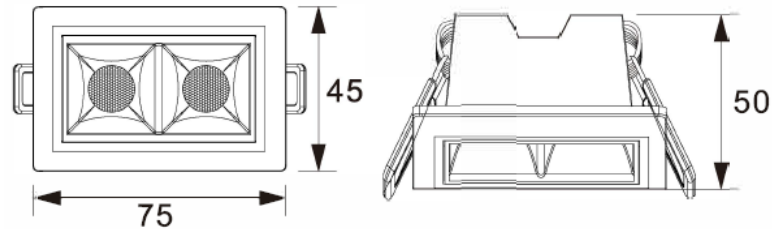
XLN100 is a linear recessed LED downlight series that can be used for residential or commercial projects. Product is available in several size configurations and optional beam angles. Is ideal for showrooms, galleries, retail environments, hotels & hospitality, and others.

CONFIGURATIONS

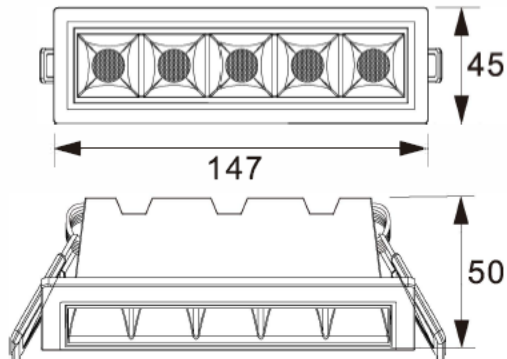
XLN101
1-GANG **Cutout**
37x37mm



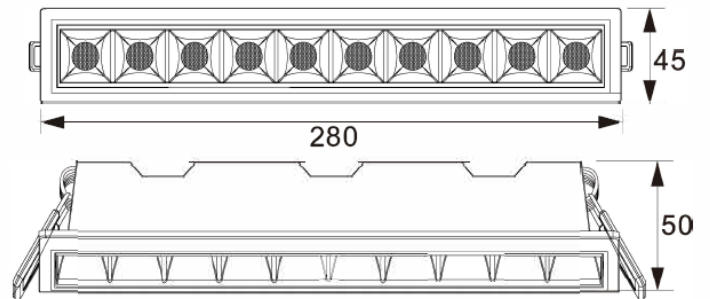
XLN102
2-GANG **Cutout**
67x37mm



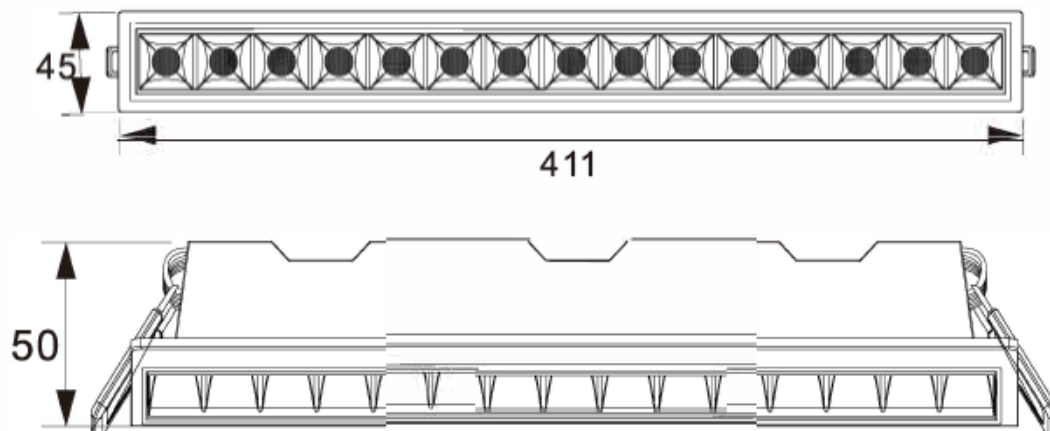
XLN105
5-GANG **Cutout**
140x37mm



XLN110
10-GANG **Cutout**
272x37mm



XLN115
15-GANG **Cutout**
405x37mm



All product details are subject to change without notice. Final specifications may vary.

toll-free: 1300 295 367 email: mail@industrialight.com.au sales reps: mobile: 0488 839 917 mobile: 0488 844 503