

## VLE200 WEDGE WALL MOUNTED LUMINAIRE

VLE200 is a durable adjustable wall-mounted luminaire. Perfect for demanding commercial and industrial projects, it offers versatile up or down lighting configurations. Ideal for building perimeters, security lighting, retail complexes, courtyards etc. A reliable choice for diverse industrial and commercial applications. VLE200 is rotatable and adjustable making it versatile for a range of lighting projects.

### ELECTRICAL PARAMETERS

Input Voltage:	110-240VAC
Power Consumption:	14W / 24W
LED Driver Classification:	Integral Constant Current
Light Source Classification:	Citizen COB

### MECHANICAL SPECIFICATIONS

Minimum IK Rating:	IK10
IP Protection Rating:	IP65
Nominal Dimensions:	172x52x141mm
Construction Material:	Powdercoated Aluminium
Available Colour/Finish:	Black / Silver / White / Custom
Recommended Ambient Temp:	-10 ~ +50°C
Net Weight:	1.9KG



### CONFIGURATION OPTIONS

- 12VDC or 24VDC Configuration by Special Request
- Non standard fitting colours available by special request
- Remote mounted DALI Driver by request
- RGB / RGBW / CCT Tunable Configurations by Special Request

### PHOTOMETRIC INFORMATION

Typical Lumen Efficacy:	100lm/W
CCT Colour Temperature:	2700K / 3000K / 4000K / 6000K
Colour Rendering (Ra):	>80Ra
Beam Angle/Viewing Angle:	100°



### CONTROL OPTIONS

This product can be customised or configured according to the needs of your project. Dimming and control options are available by special request. Control protocols include DALI, Casambi, Wireless, 1-10V, analogue dimming.



### COMPLIANCE & CERTIFICATION

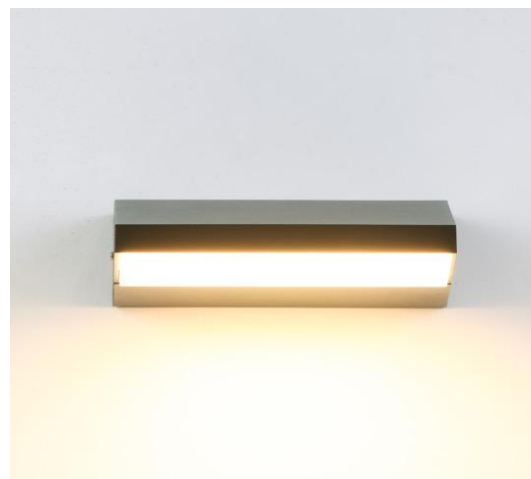
- IESNA2002
- AS/NZS60598, LM79, LM80
- Lifespan: Exceeds 50,000hrs @ L70



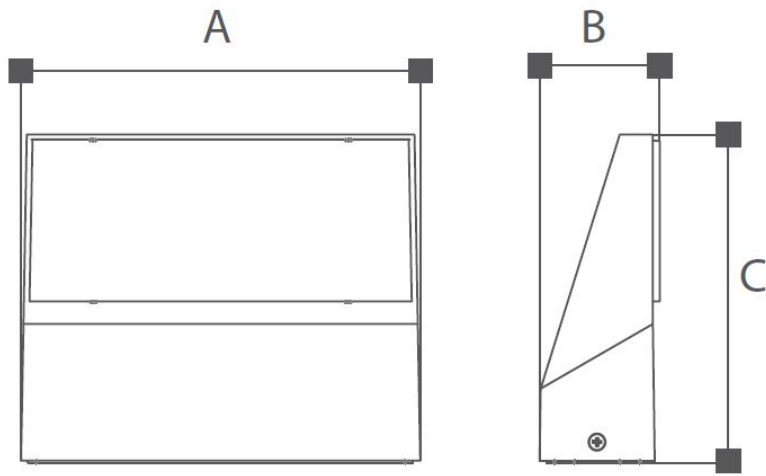
### ORDERING INFORMATION

Model Number:	<b>VLE200</b>
Specify LED CCT:	<b>2700K / 3000K / 4000K / 6000K</b>
Specify Voltage Option:	<b>110-240VAC / 24VDC</b>
Specify Finish/Colour:	<b>Black / Silver / White / Custom</b>
Specify Wattage:	<b>14W / 24W / Custom</b>
Control Option:	<b>Non-Dim / Remote DALI / Phase Dim</b>

All product details are subject to change without notice. Final specifications may vary.



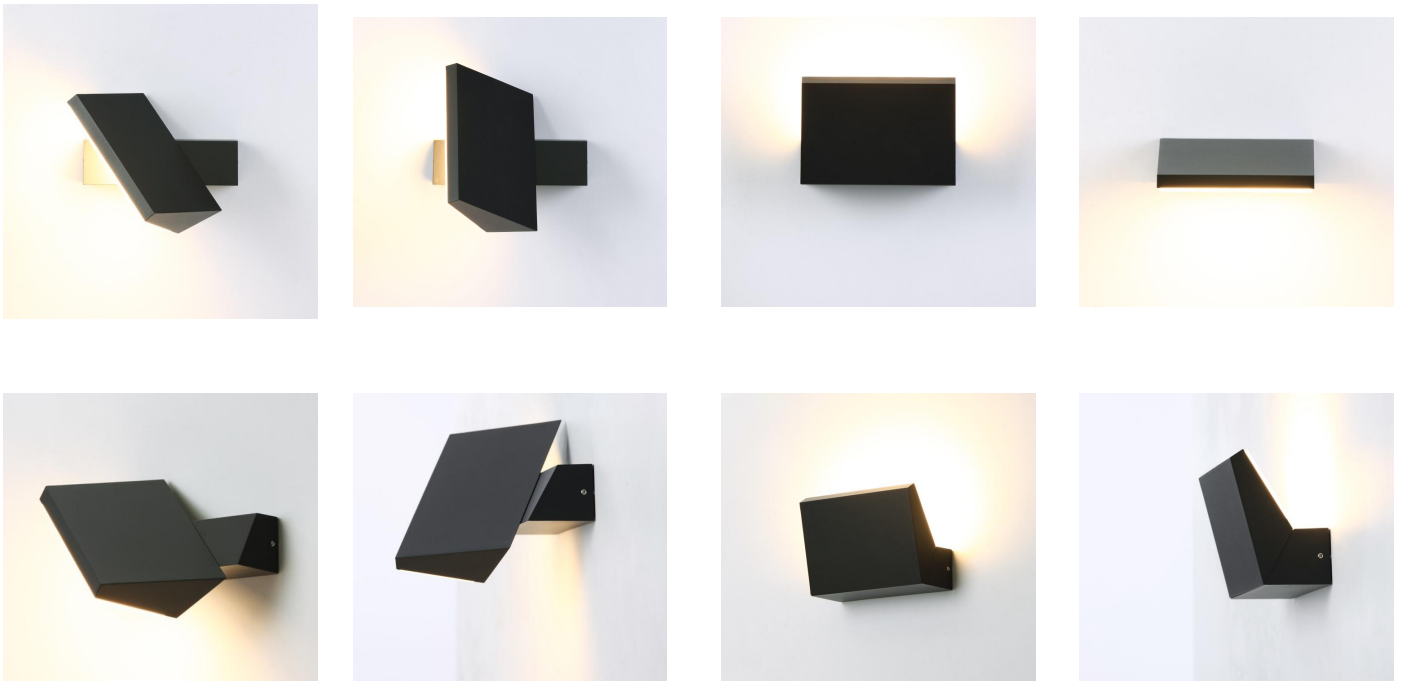
VLE200 DIMENSIONS



A: 172  
B: 52  
C: 141

Unit: mm

VLE200 ADJUSTABLE/TILT FUNCTION :



All product details are subject to change without notice. Final specifications may vary.