

TL240 DIRECT-LINK DRIVERLESS LINEAR LED LUMINAIRE

TL240 Tubeline is a compact linear LED product that features high efficiency LED light source, powered by mains voltage eliminating the need for external or remote mounted LED driver(s). The product can fit inside other mounting systems and as required which makes the product ideal for display cases, retail and counter displays, other concealed lighting applications.

ELECTRICAL PARAMETERS

Input Voltage:	100-240VAC Direct Input
Power Consumption:	6W / 9W / 12W
LED Driver Classification:	LED Driver Not Required
Light Source Classification:	SMD2835
Insulation Classification	Class II Double Insulation

MECHANICAL SPECIFICATIONS

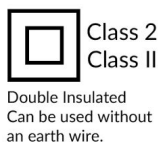
Protection Class	Polycarb Class II Double Insulated
IP Protection Rating:	IP20
Max Continuous Length:	Seamless Connection up to 20mtrs
Construction Material:	Toughened Polycarbonate
Connection Method:	Direct Connection or Jumper Cable
Recommended Ambient Temp:	-25°C - 60°C

**CONFIGURATION OPTIONS**

- 250mm / 500mm / 750mm / 1000mm length available
- Other non standard lengths available by special request
- Dimmable LED driver configurations by request

PHOTOMETRIC INFORMATION

Typical Lumen Efficacy:	110lm/w
CCT Colour Temperature:	3000K / 4000K / 6500K
Colour Rendering (Ra):	>85Ra
Beam Angle/Viewing Angle:	120°

**CONTROL OPTIONS**

TL240 is dimmable via phase-dimmable control (Mains dimming). Other dimming and control options are available by special request. Control protocols include DALI, Casambi, Wireless, 1-10V, analogue dimming. *DALI control requires remote mounted DALI interface.

FEATURES

- Discrete and compact form factor. Driverless
- Seamless Direct-Connection for Longer Runs
- Lifespan: Exceeds 50,000hrs @ L70

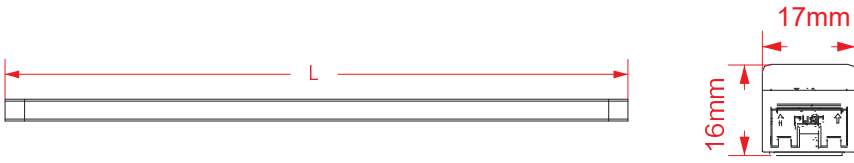
**ORDERING INFORMATION**

Model Number:	TL240
Specify LED CCT:	3000K / 4000K / 6500K
Specify Length:	250mm / 500mm / 750mm / 1000mm
Specify Wattage:	3W / 6W / 9W / 12W
Included Accessory:	Mounting Clips / Mounting Channel
Control Option:	Phase Dimmable / DALI

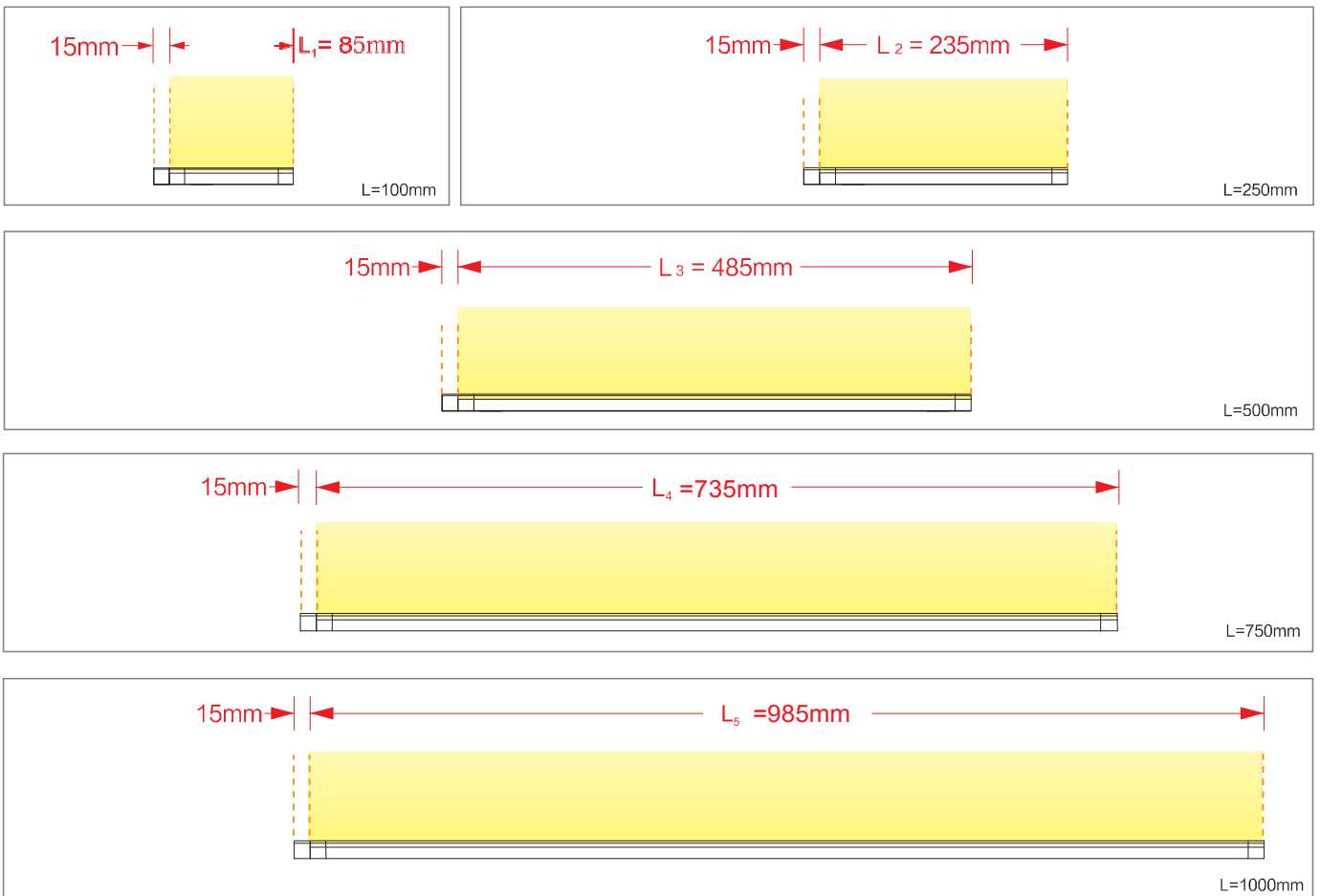
All product details are subject to change without notice. Final specifications may vary.



TL240 DIRECT-LINK DRIVERLESS LINEAR LED LUMINAIRE



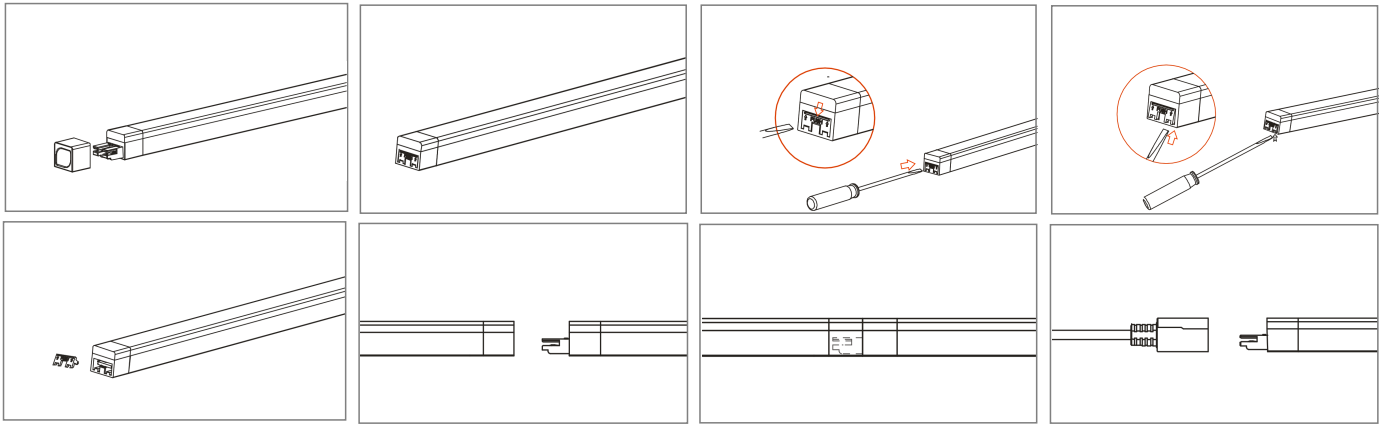
TL240 ILLUMINATED AREA



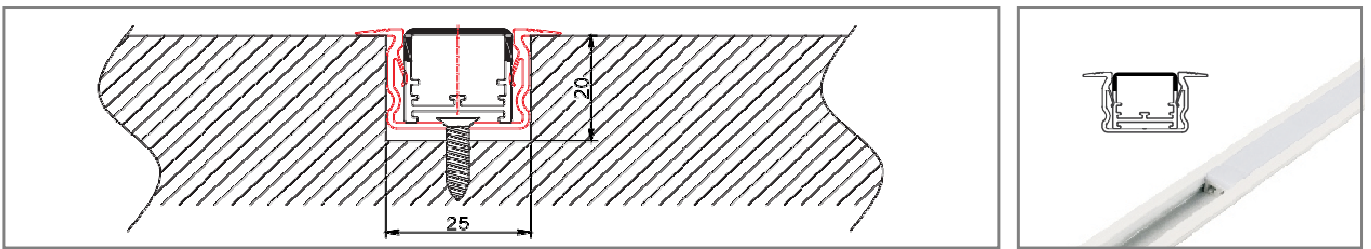
TL240 TYPICAL OUTER CARTON QTY

LENGTH	CTN. QTY	Visual Representation
1000mm	100pcs	Single luminaire
750mm	100pcs	Single luminaire
500mm	150pcs	Single luminaire
250mm	250pcs	Single luminaire
100mm	800pcs	Single luminaire
		Open cardboard box
		Sealed cardboard box

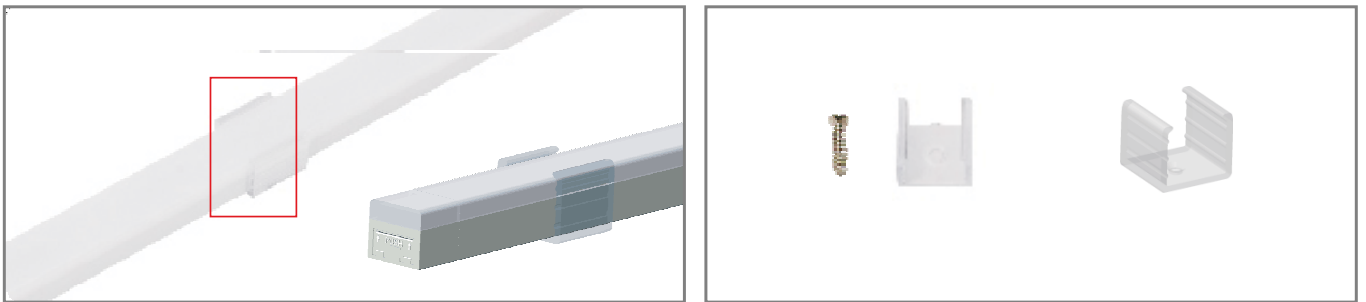
TL240 DIRECT-LINK DRIVERLESS LINEAR LED LUMINAIRE



TL240 SHOWN WITH OPTIONAL HLP411-T240 MOUNTING CHANNEL (JOINERY RECESSED)



TL240 FIXING CLIPS (OPTIONAL)



TL240 OPTIONAL ACCESSORIES AND JUMPER CABLES

