

POLECRAFT® SHS STRAIGHT SQUARE LIGHTING POLE

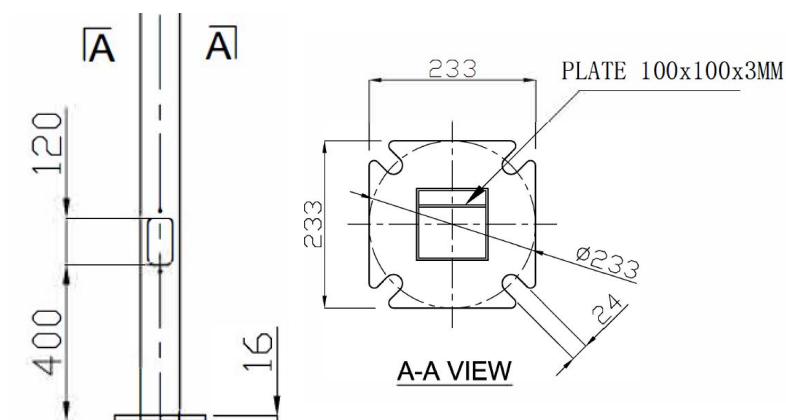
Polecraft® lighting poles are professionally designed and engineered for Australian conditions. With a full range of sizes, options and accessory attachments to suit any product or luminaire configuration. All polecraft poles are hot dip galvanised (HDG) prior to being professional powdercoated, which offers maximum corrosion resistance.



SPECIFICATIONS

Pole Profile:	SHS Square Straight 100x100mm
Base Plate Dimensions:	233x233x16mm
Bolt Pattern Designation:	D233
Top Configuration:	60mm OD Spigot Top
Spigot Height:	130mm
Construction Material:	Q235 Aluminium
Wall Thickness	3mm
Surface Treatment	Hot Dipped Galvanised (HDG)
Finish Coating:	Powdercoated (Optional)
Access Inspection Window:	Included

DRAWING



POLE HEIGHTS

Polecraft® SHS is available in heights up to 8.0mtrs with D233 base plate
9.0 / 9.5mtr / 10mtr heights available by request with D350 base plate
Custom lighting columns up to 20mtrs available for custom order
Contact Industrialight for drawings available

FOUNDATION CAGE SELECTION TABLE

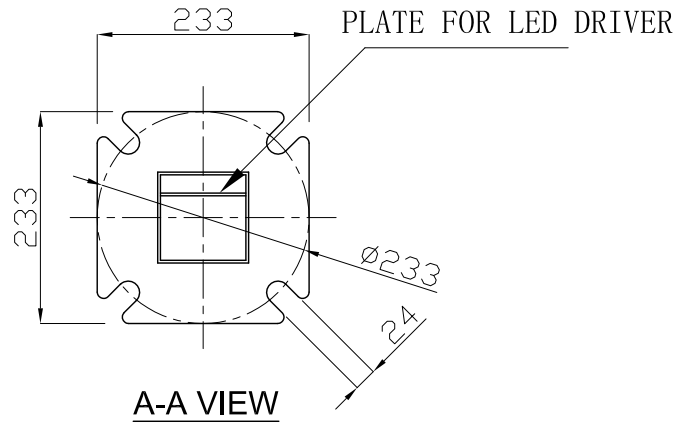
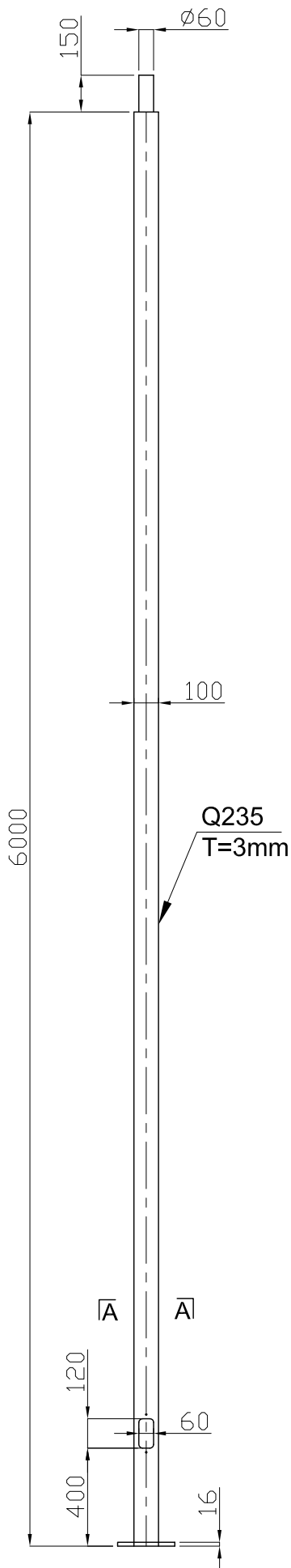
PART NO	OVERALL DEPTH	BOLT CODE	MAX POLE HEIGHT*
FCM20X500	500MM	D233	4.0MTR
FCM20X700	700MM	D233	4.5MTR
FCM20X1200	1200MM	D233	6.0MTR
FCM20X1500	1500MM	D233	8.0MTR

The above table lists recommendations for reference only. Variable such as local engineering considerations, pole loads and soil conditions should be taken into consideration before specifying. Please consult a suitably qualified engineer for more details on requirements in each case. Industrialight does not accept responsibility for external factors relating to specification of the correct foundation cage or pole arrangements for a particular site. All product details are subject to change without notice. Final specifications may vary.



POLECRAFT® SHS STRAIGHT SQUARE LIGHTING COLUMN

MODEL NO.	HEIGHT
POLES-SHS4	4.0M
POLES-SHS5	5.0M
POLES-SHS6	6.0M
POLES-SHS7	7.0M
POLES-SHS8	8.0M
POLES-SHS9	9.0M



POLE DRAWING SHOWS SHS6 (6.0M)