

POLECRAFT® PA4 POLE ADAPTOR

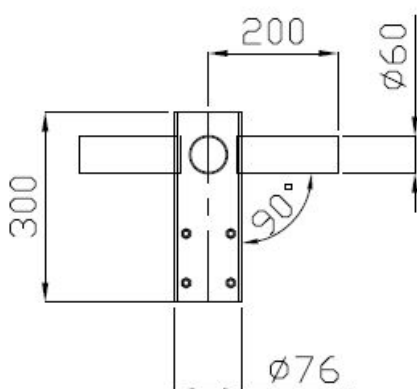
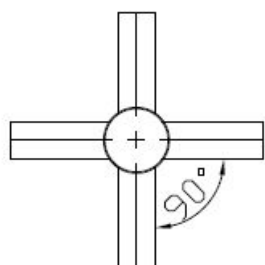
PA4 is a mounting adaptor that allows fixing of multiple horizontal-entry pole mounted luminaires to regular pole top spigot. Machine welded and hot dip galvanised (HDG) for corrosion resistance.

Available in different size configurations. Available in customised variants or made to order requests. Industrialight can provide engineered solutions for all pole mounted lighting requirements.

SPECIFICATIONS

Part Number:	PA4
Configuration:	Four Spigot 90-Degree
Spigot Length:	200mm
Spigot Diameter:	60mm OD
Inner Spigot Entry:	66mm (ID)
Overall Height:	300mm
Construction Material:	Steel
Surface Treatment:	Hot Dipped Galvanised (HDG)
Surface Finish:	Powdercoated Optional

Custom-made arrangements available to suit special requirements. Contact industrialight for more information.



Specifications are indicative and for reference only. Variable such as local engineering considerations, pole loads and soil conditions should be taken into consideration before specifying. Please consult a suitably qualified engineer for more details on requirements in each case. Industrialight does not accept responsibility for external factors relating to specification of the correct hardware, accessories or lighting pole arrangements for a given site or scenario. All product details are subject to change without notice. Final specifications may vary.

