

**POLECRAFT® OA1 POLE-TOP OUTREACH ARM**

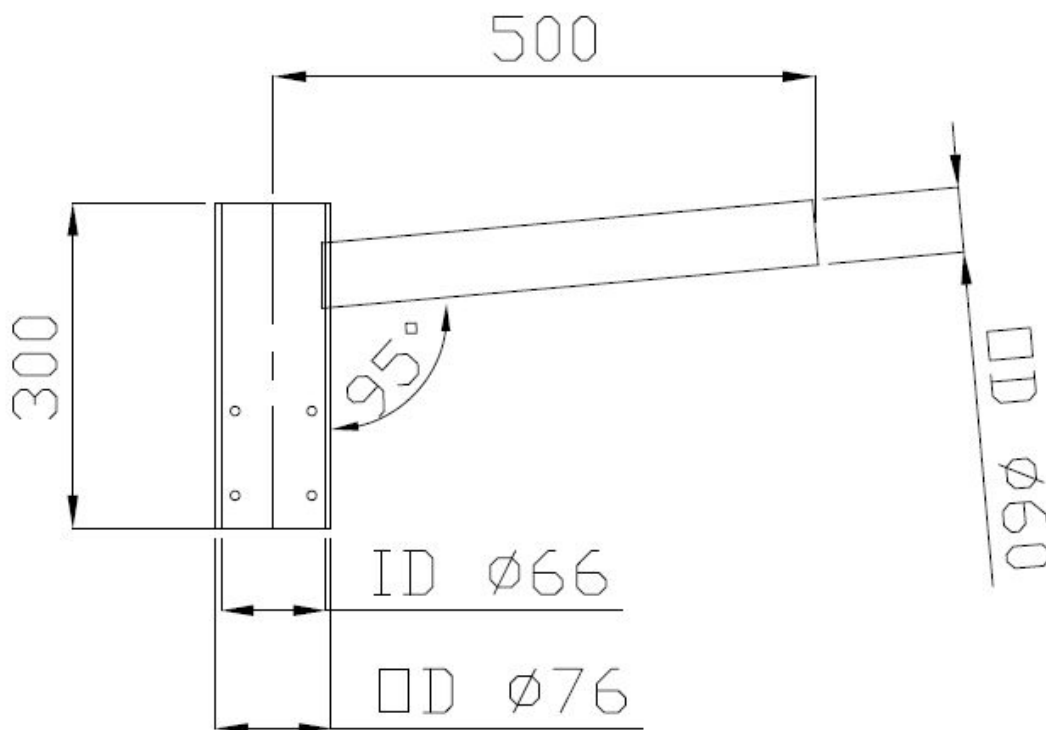
OA1 is single outreach arm adaptor accessory that fits to the top of any 60mm spigot-top pole. OA1 features single outreach arm with corresponding 60mm OD to fit pole mounted luminaires as required. Heavy duty welding and fabrication, and hot dip galvanised (HDG). for corrosion resistance.

Pole adaptors are available in different size configurations and customised variants or made to order requests. Industrialight can provide engineered solutions for all pole mounted lighting requirements.

**SPECIFICATIONS**

Part Number:	OA1
Configuration:	Single-Arm
Arm Spigot OD	60mm OD
Spigot Entry Diameter:	66mm (ID)
Arm Length:	1 x 500mm
Construction Material:	Steel
Surface Treatment:	Hot Dipped Galvanised (HDG)
Surface Finish:	Powdercoated Optional

Custom-made arrangements available to suit special requirements. Contact industrialight for more information.

**SINGLE ARM**

Specifications are indicative and for reference only. Variable such as local engineering considerations, pole loads and soil conditions should be taken into consideration before specifying. Please consult a suitably qualified engineer for more details on requirements in each case. Industrialight does not accept responsibility for external factors relating to specification of the correct hardware, accessories or lighting pole arrangements for a given site or scenario. All product details are subject to change without notice. Final specifications may vary.