

HB65V LED HIGHBAY LUMINAIRE IP65

HB65V series LED highbay luminaires are a high quality solution for new and existing projects. HB65V is industrial grade with full cover and heavy duty hardware. Supplied with a 180 degree adjustable mounting bracket and is IP65 rated making them suitable for almost any environment including wet areas.

ELECTRICAL PARAMETERS

Input Voltage:	100-305VAC
Power Consumption:	80W/100W/150W/200W/240W
LED Driver Classification:	Integral, Meanwell
Light Source Classification:	Lumileds 3030 SMD LED

MECHANICAL SPECIFICATIONS

Mounting Option:	Suspended
IP Protection Rating:	IP65
Nominal Diameters:	350mm / 410mm
Construction Material:	High Grade Alloy/Toughened Lens
Standard Colour/Finish:	Black and Silver
Recommended Ambient Temp:	-30°C - 70°C

**CONFIGURATION OPTIONS**

- Adjustable mounting bracket included
- 24VDC version available by special request
- Can be fitted with daylight harvesting automation
- dimmable options available by special request

**PHOTOMETRIC INFORMATION**

Typical Lumen Efficacy:	145-165lm/W
CCT Colour Temperature:	3000K/4000K/6500K
Colour Rendering (Ra):	>85Ra
Beam Angle/Viewing Angle:	25° / 45° / 60° / 90° / 120°

**CONTROL OPTIONS**

HB65V is a industrial-grade solution which can be fitted with custom dimming and control options by special request. Control protocols include Daylight Harvesting, DALI, Casambi, Wireless, 1-10V, analogue dimming and automation control.

**CASAMBI****COMPLIANCE & CERTIFICATION**

- IESNA2002
- AS/NZS60598, LM79, LM80
- Lifespan: Exceeds 50,000hrs @ L70

**ORDERING INFORMATION**

Model Number:	HB65V
Specify LED CCT:	3000K/4000K/6500K
Specify Beam Angle:	25° / 45° / 60° / 90° / 120°
Specify Finish/Colour:	Black Body / Matt Silver
Input Voltage Option:	100-305VAC or 24VDC
Dimming Option:	1-10V / DALI / Casambi Wireless

All product details are subject to change without notice. Final specifications may vary.





Advanced Heat Dissipation

Aerodynamic flow bring excellent cooling performance

Very lightweight advanced body structure



Configurations

Scale reflector, high efficiency, Even spot, multiple illumination angles

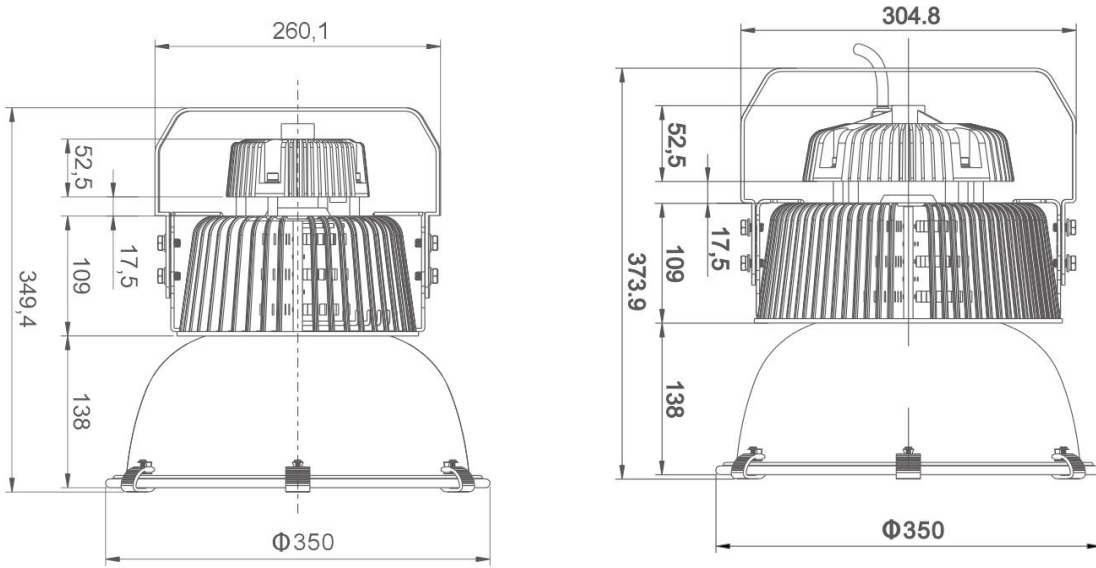
Tempered glass cover, IP65 Waterproof grade, Surface is easy to clean



Multiple Installation Options

Suspension installation, or bracket Installation, Orientation of the illumination direction can be adjusted by installation.

HB65V DIMENSIONS - ALUMINIUM REFLECTOR MODELS



HB65V DIMENSIONS - POLYCARBONATE REFRACTOR MODELS

