

**HAL190R HALCYON LED WALL LIGHT - ROUND**

Halcyon is a stylish LED luminaire with integrated Sharp LED module and constant current LED driver. Halcyon features an eyelid indirect design and slimline form factor. It is entirely surface mounted making it ideal for a range of applications including solid block walls and other commercial and residential locations.

**ELECTRICAL PARAMETERS**

Input Voltage:	100-240VAC
Power Consumption:	13W
LED Driver Classification:	Integral Constant Current
Light Source Classification:	Sharp COB

**MECHANICAL SPECIFICATIONS**

Minimum IK Rating:	IK09
IP Protection Rating:	IP65
Dimensions:	195(dia)x50mm(depth)
Construction Material:	Aluminium
Standard Colour/Finish:	Corrosion Resistant
Recommended Ambient Temp:	-15°C - 45°C

**CONFIGURATION OPTIONS**

- Square version available by request HAL190S
- Non standard colours available by special request
- Remote DALI dimmable LED driver available by request

**PHOTOMETRIC INFORMATION**

Typical Lumen Efficacy:	90lm/W
CCT Colour Temperature:	3000K / 4000K / 6000K
Colour Rendering (Ra):	>85Ra
Beam Angle/Viewing Angle:	120°

**CONTROL OPTIONS**

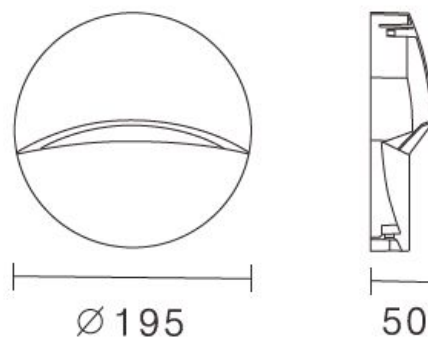
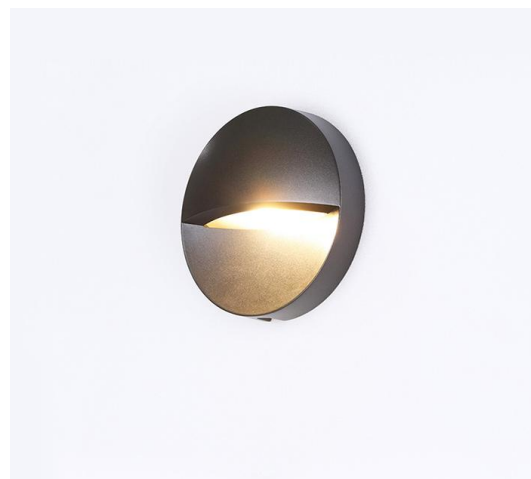
This product can be customised or configured according to the needs of your project. Dimming and control options are available by special request. Control protocols include DALI, Casambi, Wireless, 1-10V, analogue dimming.

**CASAMBI****COMPLIANCE & CERTIFICATION**

- IESNA2002
- AS/NZS60598, LM79, LM80
- Lifespan: Exceeds 50,000hrs @ L70

**ORDERING INFORMATION**

Model Number:	<b>HAL190R</b>
Specify LED CCT:	<b>3000K / 4000K / 6000K</b>
Mounting:	<b>Surface Mounted</b>
Specify Finish/Colour:	<b>Black / White / Custom</b>
Specify Wattage:	<b>13W</b>
Dimming Option:	<b>Non-Dimmable / Phase Dimmable / DALI</b>



All product details are subject to change without notice. Final specifications may vary.