

**FL7015 LED FLOODLIGHT - 15W**

FL7 is a new generation LED Floodlight with integrated mains voltage LED module. FL7 delivers superior lumen output with optimum efficiency. The fittings are manufactured from robust materials and can be used in any Industrial, commercial or residential environment.

**ELECTRICAL PARAMETERS**

Input Voltage:	85-285VAC
Power Consumption:	15W
LED Driver Classification:	Class I
Light Source Classification:	Osram 3030T

**MECHANICAL SPECIFICATIONS**

Minimum IK Rating:	IK09
IP Protection Rating:	IP65
Nominal Dimensions:	169x132x53mm
Construction Material:	Aluminium
Standard Colour/Finish:	Black / Corrosion Resistant
Recommended Ambient Temp:	-20°C - 50°C

**CONFIGURATION OPTIONS**

- Other size configurations up to 200W available by request
- Non standard colours available by special request
- DALI dimmable version available by special request

**PHOTOMETRIC INFORMATION**

Typical Lumen Efficacy:	100lm/W
CCT Colour Temperature:	3000K / 4000K / 5000K / 6500K
Colour Rendering (Ra):	>80Ra
Beam Angle/Viewing Angle:	120°

**CONTROL OPTIONS**

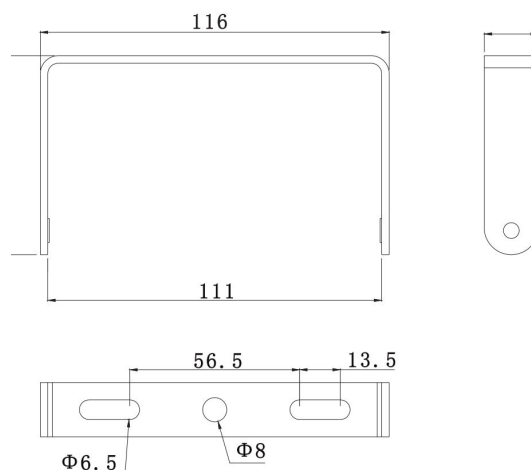
This product can be customised or configured according to the needs of your project. Dimming and control options are available by special request. Control protocols include DALI, Casambi, Wireless, 1-10V, analogue dimming.

**COMPLIANCE & CERTIFICATION**

- IESNA2002
- AS/NZS60598, LM79, LM80
- Lifespan: Exceeds 50,000hrs @ L70

**ORDERING INFORMATION**

Model Number:	<b>FL7015</b>
Specify LED CCT:	<b>3000K / 4000K / 5000K / 6500K</b>
Specify Wattage:	<b>15W</b>
Mounting Accessory:	<b>Adjustable Bracket</b>
Input Voltage Option:	<b>85-265VAC / 24VDC</b>
Dimming Option:	<b>Non Dimmable / DALI / Casambi</b>



All product details are subject to change without notice. Final specifications may vary.