

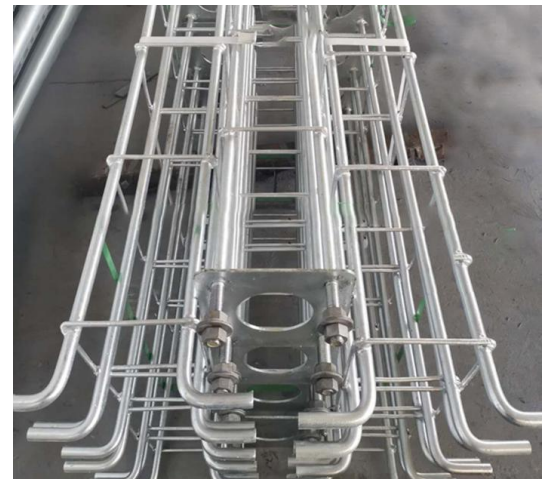
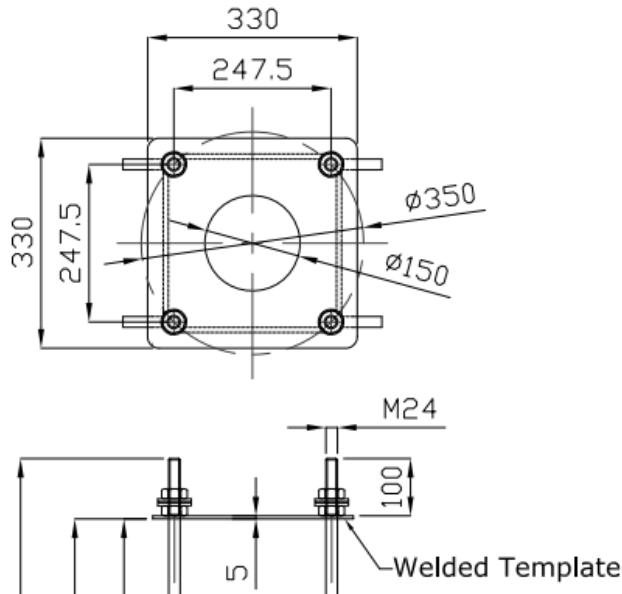
POLECRAFT® FCM24 FOUNDATION CAGE

FCM24 is a professionally engineered foundation cage for Polecraft® lighting poles. Fabricated steel cage with reinforced structure and is ideal for use in a variety of soil conditions. Provides a sound foundation for fixing lighting column poles as required. Machine welded and hot dip galvanised (HDG). for corrosion resistance. Available in different size configurations.

SPECIFICATIONS

Part Number:	FCM24
Bolt Pattern Diamater:	350mm
Bolt Pattern Designation:	D350
Bolt Size:	M24
Net Weight:	7.2KG
Construction Material:	Steel
Surface Treatment	Hot Dipped Galvanised (HDG)

BOLT PATTERN DRAWING



STANDARD CAGE SIZES

PART NO	OVERALL DEPTH	BOLT CODE	MAX POLE HEIGHT*
FCM24X1200	1200MM	D350	9.0MTR
FCM24X1400	1400MM	D350	10.0MTR
FCM24X1500	1500MM	D350	11.0MTR

The above table lists recommendations for reference only. Variable such as local engineering considerations, pole loads and soil conditions should be taken into consideration before specifying. Please consult a suitably qualified engineer for more details on requirements in each case. Industrialight does not accept responsibility for external factors relating to specification of the correct foundation cage or pole arrangements for a particular site. All product details are subject to change without notice. Final specifications may vary.

