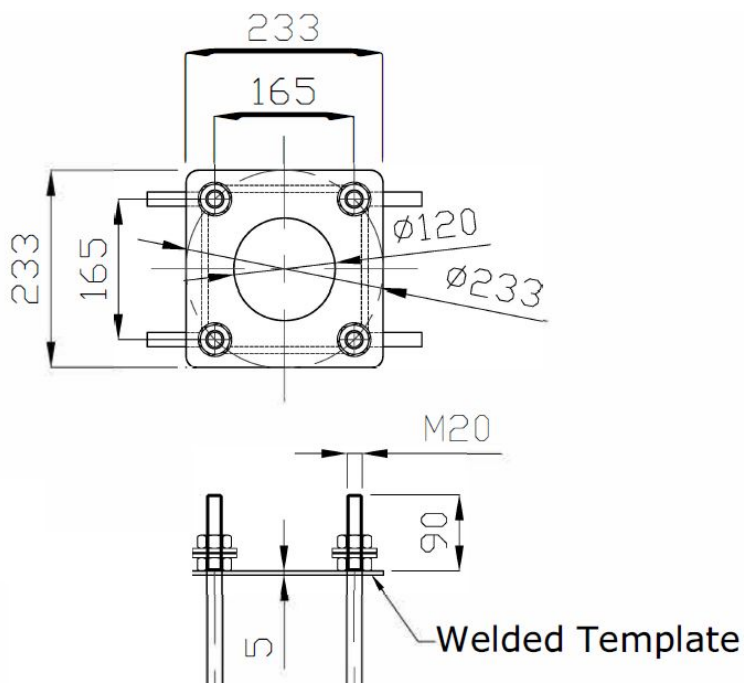


**POLECRAFT® FCM20 FOUNDATION CAGE**

FCM20 is a professionally engineered foundation cage for Polecraft® lighting poles. Fabricated steel cage with reinforced structure and is ideal for use in a variety of soil conditions. Provides a sound foundation for fixing lighting column poles as required. Machine welded and hot dip galvanised (HDG). for corrosion resistance. Available in different size configurations.

**SPECIFICATIONS**

Part Number:	FCM20
Bolt Pattern Diamater:	233mm
Bolt Pattern Designation:	D233
Bolt Size:	M20
Net Weight:	5.5KG
Construction Material:	Steel
Surface Treatment	Hot Dipped Galvanised (HDG)

**BOLT PATTERN DRAWING****STANDARD CAGE SIZES**

PART NO	OVERALL DEPTH	BOLT CODE	MAX POLE HEIGHT*
FCM20X500	500MM	D233	4.0MTR
FCM20X700	700MM	D233	4.5MTR
FCM20X1200	1200MM	D233	7.0MTR
FCM20X1500	1500MM	D233	8.0MTR

The above table lists recommendations for reference only. Variable such as local engineering considerations, pole loads and soil conditions should be taken into consideration before specifying. Please consult a suitably qualified engineer for more details on requirements in each case. Industrialight does not accept responsibility for external factors relating to specification of the correct foundation cage or pole arrangements for a particular site. All product details are subject to change without notice. Final specifications may vary.

