

EXD937 EXPLOSION PROOF LUMINAIRE

EXD937 is a Exd luminaire is a high output product for demanding hazardous locations and explosion proof zones. Featuring high-tech anti-corrosion surface treatment, suitable for highly corrosive areas, mining sites, offshore oil platforms, oil drilling platform, environments with high levels of chlorine, alkaline substances, vulcanization cyanide, etc.

ELECTRICAL PARAMETERS

Input Voltage:	90-264VAC
Rated Frequency:	50Hz / 60Hz
Power Consumption:	100W / 120W / 150W / 200W / 240W
LED Driver Classification:	Integral, Constant Current
Light Source Classification:	CREE High Power LED
Zone Classification:	Zone 1 / Zone 2 / Zone 21 / Zone 22
Gas Explosive Group:	Group IIA, IIB, IIC

MECHANICAL SPECIFICATIONS

Minimum IK Rating:	IK10	
IP Protection Rating:	IP66	
Body Dimensions:	295x330x450mm	
Construction Material:	Powdercoated Aluminium	
Standard Colour/Finish:	Grey / Signal Yellow	
Ambient Temp:	-40°C to 55°C	
Net Weight:	7.5Kg	
Cable Gland Configuration:	M20x1.5, M25x1.5, G3/4", NPT1/2", NPT3/4"	

CONFIGURATION OPTIONS

- Dimming Options by request including 1-10V / DALI
- Beam Angle Options 60°x80° / 90°x100°
- Optional Beam Angles: 40° / 60° / 80° / 100°

PHOTOMETRIC INFORMATION

Typical Lumen Efficacy:	110lm/W
CCT Colour Temperature:	3000K / 4000K / 5000K
Colour Rendering (Ra):	>70Ra / 80Ra
Beam Angle/Viewing Angle:	Various up to 90x100°

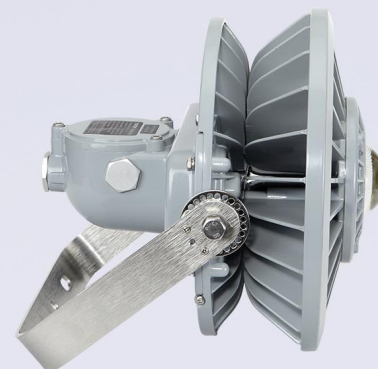
COMPLIANCE & CERTIFICATION

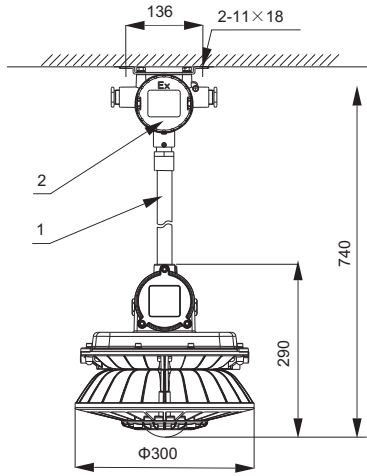
- IESNA2002, AS/NZS60598, LM79, LM84, LM80
- Lifespan: Exceeds 50,000hrs @ L70
- Ex Class: (100W) Ex db e IIC T4 Gb Ex tb IIIC T135°C Db
- Ex Class: (<120W) Ex db e IIC T3 Gb Ex tb IIIC T195°C Db
- Ex Class: (<240W) Ex db e IIC T3 Gb Ex tb IIIC T195°C Db
- ATEX Certification EPT 16ATEX2484X
- IECEx Certification: IECEx EUT 17.0011X

ORDERING INFORMATION

Model Number:	EXD937
Mounting Option:	Pole Mounted / Bracket Mounted
Specify Wattage:	100W / 120W / 150W / 200W / 240W
CCT:	3000K / 4000K / 5000K
Input Voltage Option:	90-264VAC
Specify Colour:	Grey / Signal Yellow

All product details are subject to change without notice. Final specifications may vary.

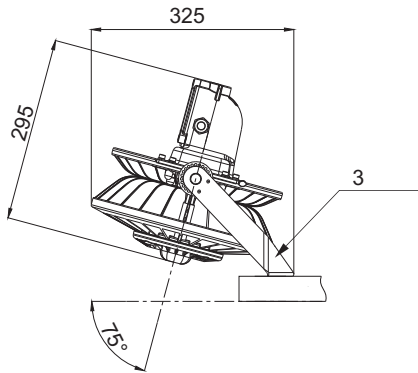




POLE MOUNTED



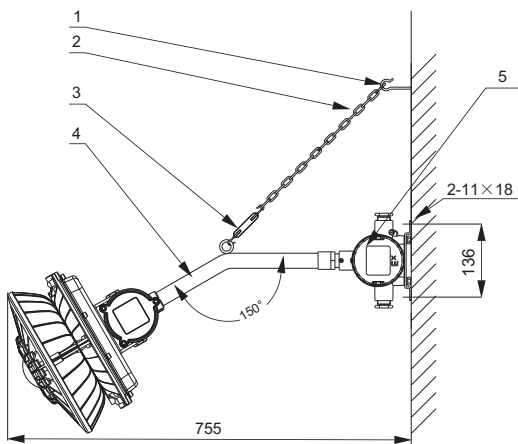
NO.#	AVAILABLE TO ORDER SEPARATELY	QTY
1	300MM BOOM G3/4" MALE-MALE	1
2	EXD103 Exd JUNCTION BOX	1



ANGLED BRACKET (OPTIONAL)



NO.#	AVAILABLE TO ORDER SEPARATELY	QTY
3	P23 ANGLED STEEL BRACKET	1



WALL MOUNTING 150-DEGREE

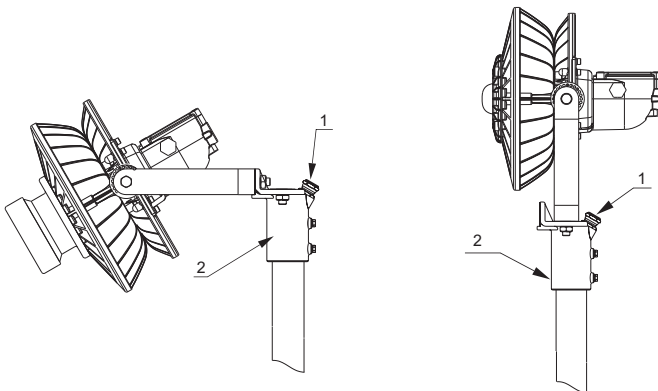
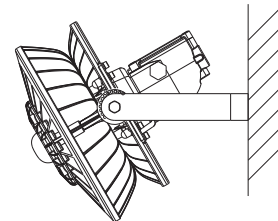
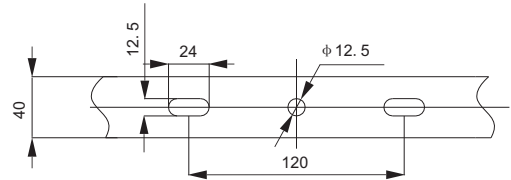
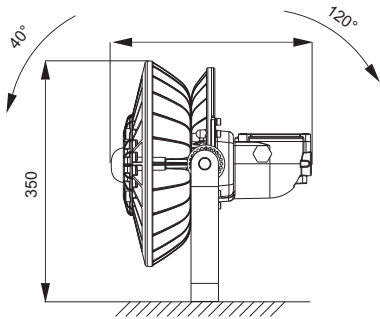
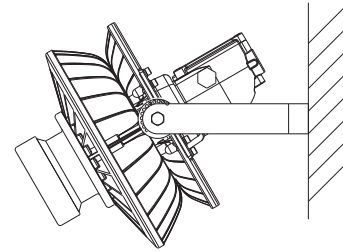
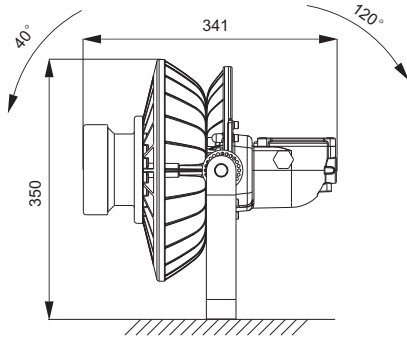


ORDERING CODE:	EXD937-P3KIT
-----------------------	---------------------

NO.#	INCLUDED FIXINGS	QTY
1	EXPANSION SCREW HOOK	1
2	CHAIN	1
3	C-C TURNBUCKLE	1
4	G3/4" BEND PIPE 150deg	

NO.#	AVAILABLE SEPARATELY	QTY
5	EXD103 Exd JUNCTION BOX	1

SURFACE MOUNTED (BRACKET VERSION)



POLE MOUNTING (BRACKET VERSION)

- Suits 8-12mm OD Cable Entry
- Suits 50-50mm OD Pole

ORDERING CODE:	EXD937 - P7KIT
----------------	----------------

NO.#	INCLUDED FIXINGS	QTY
1	IP68 PLUG M20	1
2	VERTICAL POLE ADAPTOR	1

All product details are subject to change without notice. Final specifications may vary.

Unit: mm