

EXD936 EXPLOSION PROOF LUMINAIRE

EXD936 is a Exd luminaire for use in very demanding hazardous locations and industries. Featuring high-tech anti-corrosion surface treatment, suitable for long-term highly corrosive environments including offshore oil platforms, oil drilling platform, environments with high levels of chlorine, alkaline substances, vulcanization cyanide, etc.

ELECTRICAL PARAMETERS

Input Voltage:	90-264VAC
Rated Frequency:	50Hz / 60Hz
Power Consumption:	30W / 40W / 50W / 60W / 80W
LED Driver Classification:	Integral, Constant Current
Light Source Classification:	CREE High Power LED
Zone Classification:	Zone 1 / Zone 2 / Zone 21 / Zone 22
Gas Explosive Group:	Group IIA, IIB, IIC

MECHANICAL SPECIFICATIONS

Minimum IK Rating:	IK10	
IP Protection Rating:	IP66	
Body Dimensions:	230x270mm	
Construction Material:	Powdercoated Aluminium	
Standard Colour/Finish:	Grey / Signal Yellow	
Ambient Temp:	-40°C to 55°C	
Net Weight:	4.2Kg	
Cable Gland Configuration:	M20x1.5, M25x1.5, G3/4", NPT1/2", NPT3/4"	

CONFIGURATION OPTIONS

- Optional Input Voltage: 18-43VAC / 18-55VDC
- Dimming Options 1-10V / DALI
- Optional Beam Angle 18° / 60° / 100° / 200° / 40° / 40° / 90x110°

PHOTOMETRIC INFORMATION

Typical Lumen Efficacy:	110lm/W
CCT Colour Temperature:	3000K / 4000K / 5000K
Colour Rendering (Ra):	>70Ra / 80Ra
Beam Angle/Viewing Angle:	Various up to 90x110°

COMPLIANCE & CERTIFICATION

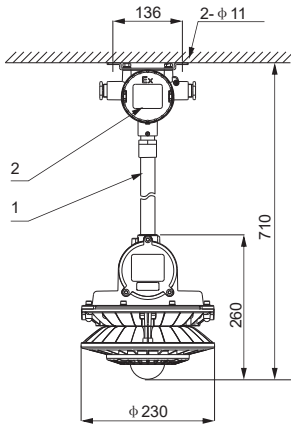
- IESNA2002, AS/NZS60598, LM79, LM84, LM80
- Lifespan: Exceeds 50,000hrs @ L70
- Ex Class: (<30W) Ex db e IIC T6 Gb Ex tb IIIC T80°C Db
- Ex Class: (<60W) Ex db e IIC T5 Gb Ex tb IIIC T95°C Db
- Ex Class: (<80W) Ex db e IIC T4 Gb Ex tb IIIC T135°C Db
- ATEX Certification EPT 16ATEX2484X
- IECEx Certification: IECEx EUT 17.0011X

ORDERING INFORMATION

Model Number:	EXD936
Mounting Option:	Pole Mounted / Bracket Mounted
Specify Wattage:	30W / 40W / 50W / 60W / 80W
CCT:	3000K / 4000K / 5000K
Input Voltage Option:	90-264VAC / 18-43VAC / 18-55VDC
Specify Colour:	Grey / Signal Yellow

All product details are subject to change without notice. Final specifications may vary.

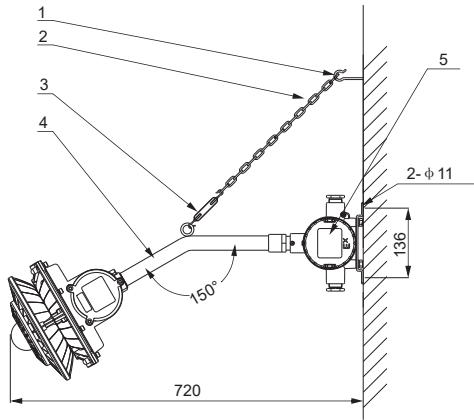




POLE MOUNTED



NO.#	AVAILABLE TO ORDER SEPARATELY	QTY
1	300MM BOOM G3/4" MALE-MALE	1
2	EXD103 Exd JUNCTION BOX	1

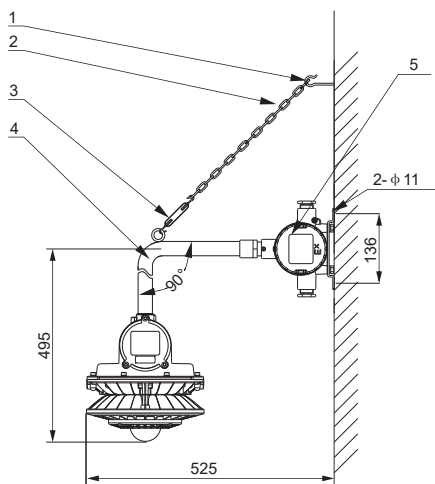


WALL MOUNTING 150-DEGREE



ORDERING CODE:	EXD936-P3KIT	
NO.#	INCLUDED FIXINGS	QTY
1	EXPANSION SCREW HOOK	1
2	CHAIN	1
3	C-C TURNBUCKLE	1
4	G3/4" BEND PIPE 150deg	

NO.#	AVAILABLE SEPARATELY	QTY
5	EXD103 Exd JUNCTION BOX	1

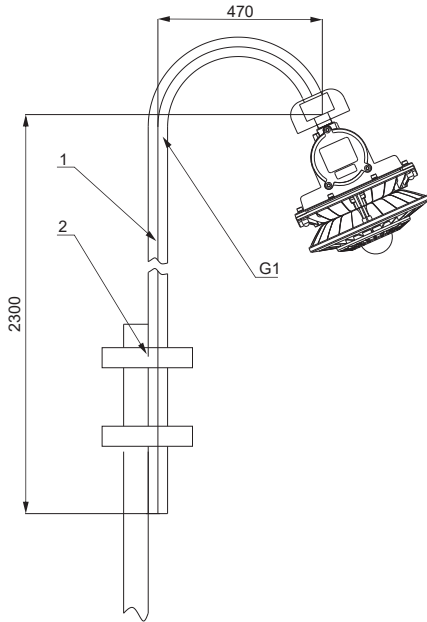


WALL MOUNTING 90-DEGREE



ORDERING CODE:	EXD936-P4KIT	
NO.#	INCLUDED FIXINGS	QTY
1	EXPANSION SCREW HOOK	1
2	CHAIN	1
3	C-C TURNBUCKLE	1
4	G3/4" BEND PIPE 90deg	

NO.#	AVAILABLE SEPARATELY	QTY
5	EXD103 Exd JUNCTION BOX	1

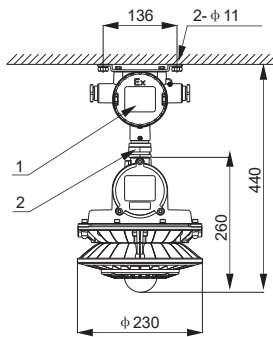


GUARD RAIL MOUNTING



ORDERING CODE:	EXD936 - P5KIT
-----------------------	-----------------------

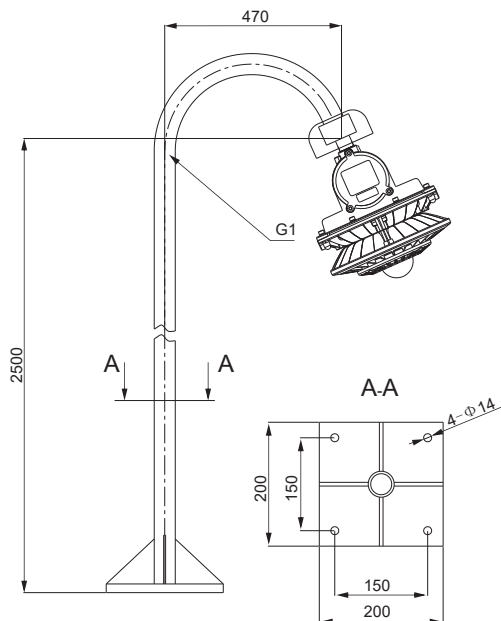
NO.#	INCLUDED FIXINGS	QTY
1	GUARD-RAIL POLE	1
2	U-TYPE BOLTS	2



CEILING MOUNTING



NO.#	AVAILABLE TO ORDER SEPARATELY	QTY
1	EXD103 Exd JUNCTION BOX	1
2	ADAPTOR G3/4" FEMALE-MALE	1

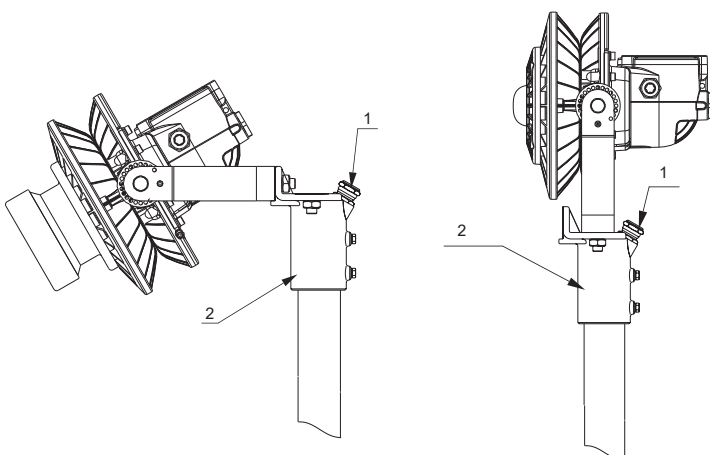
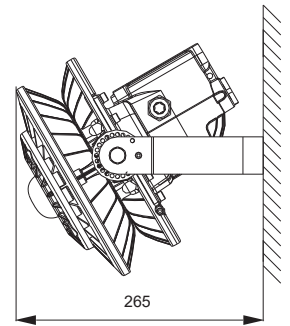
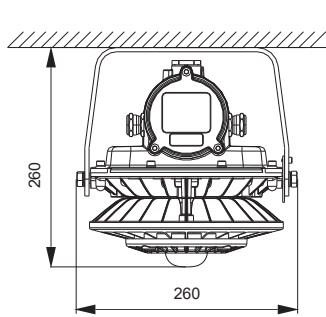
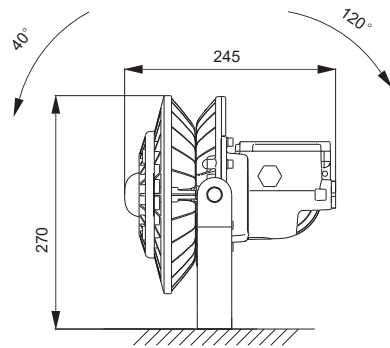
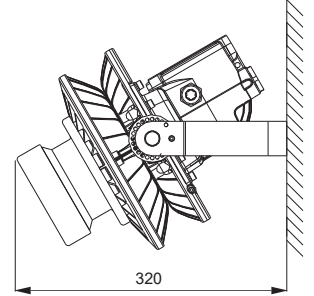
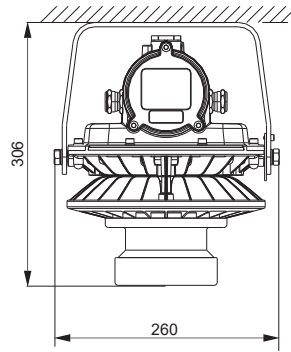
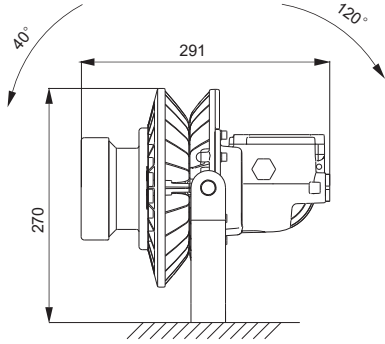
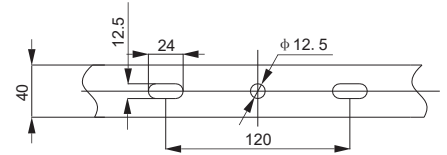


FLANGE MOUNTING



NO.#	AVAILABLE TO ORDER SEPARATELY	QTY
1	2.5MTR FLANGE POLE	1

SURFACE MOUNTED (BRACKET VERSION)



POLE MOUNTING (BRACKET VERSION)



ORDERING CODE:		EXD936 - P7KIT
NO.#	INCLUDED FIXINGS	QTY
1	IP68 PLUG M20	1
2	VERTICAL POLE ADAPTOR	1

All product details are subject to change without notice. Final specifications may vary.

Unit: mm