



**EXD930F120 MODULAR EXD FLOODLIGHT**

EXD930 is a general purpose industrial luminaire for use in hazardous locations. The modular design and adjustable bracket makes it suitable for a wide range of uses. Oil refineries, exploration sites, chemical industries, power plants and more. Offers high protection against corrosion and harsh chemicals.

**ELECTRICAL PARAMETERS**

Input Voltage:	120-277VAC
Rated Frequency:	50Hz / 60Hz
Power Consumption:	100W / 120W
LED Driver Classification:	Integral, Constant Current
Light Source Classification:	CREE High Power LED
Zone Classification:	Zone 1 / Zone 2 / Zone 21 / Zone 22
Gas Explosive Group:	Group IIA, IIB, IIC

**MECHANICAL SPECIFICATIONS**

Minimum IK Rating:	IK10	
IP Protection Rating:	IP66	
Body Dimensions:	337(L)x338(W)x93mm(H)	
Construction Material:	Powdercoated Aluminium	
Standard Colour/Finish:	Grey / Signal Yellow	
Recommended Ambient Temp:	-40°C to 55°C	
Net Weight:	8.3Kg	
Lead-In Cable Diameter (OD):	M20x1.5(G1/2, /, NPT1/2, M25x1.5)	

**CONFIGURATION OPTIONS**

- Can be fitted with 316 Stainless Steel Bracket by Request
- Compliant with Temperature group T1- T6
- Exd Rated Junction Box and Accessories available by request

**PHOTOMETRIC INFORMATION**

Typical Lumen Efficacy:	125lm/W
CCT Colour Temperature:	3000K / 4000K / 5000K
Colour Rendering (Ra):	>70Ra / 80Ra
Beam Angle/Viewing Angle:	80° x 100°

**COMPLIANCE & CERTIFICATION**

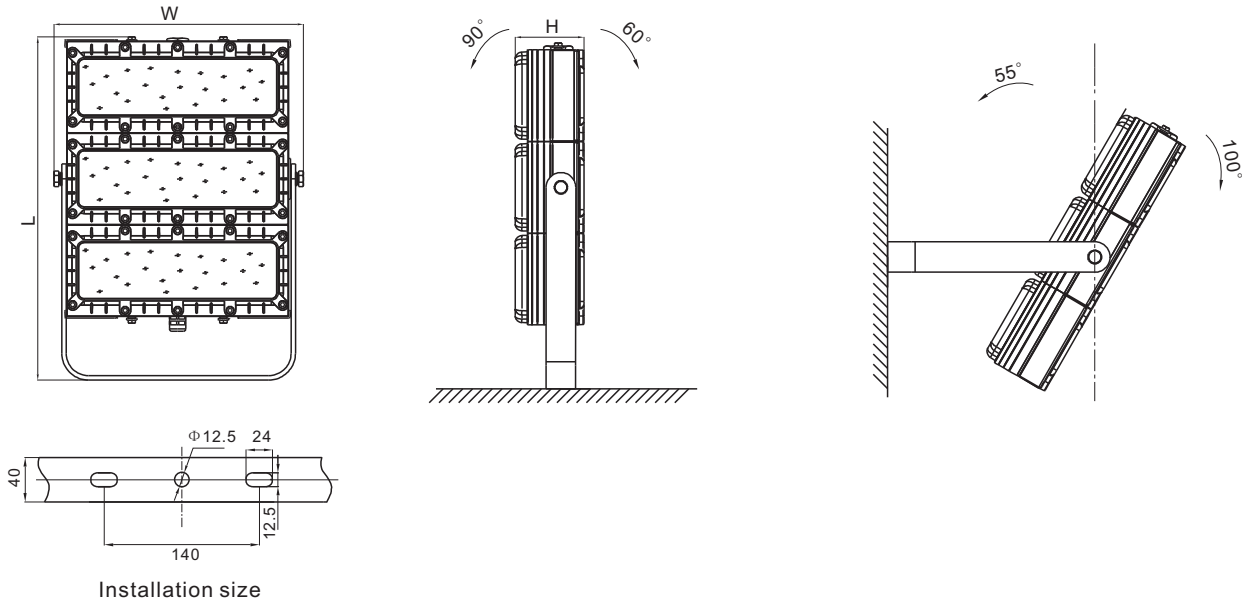
- IESNA2002, AS/NZS60598, LM79, LM80
- Lifespan: Exceeds 90,000hrs @ L70
- Ex Clas: Ex tb IIC T95°C Db Ex db e IIC T5 Gb
- ATEX Certification: SEV 21 ATEX0500X
- IECEx Certification: IECEX SEV 21.0002X

**ORDERING INFORMATION**

Model Number:	<b>EXD930F120</b>
Mounting Option:	<b>Pole Mounted / Bracket Mounted</b>
Specify Wattage:	<b>100W / 120W</b>
CCT:	<b>3000K / 4000K / 5000K</b>
Input Voltage Option:	<b>90-265VAC or 24VDC</b>
Specify Colour:	<b>Grey / Signal Yellow</b>

All product details are subject to change without notice. Final specifications may vary.





MODEL NUMBER	LED MODULE	TYPICAL LUMEN OUTPUT	SPACE/HEIGHT RATIO	SUGG MOUNTING HEIGHT	DIMENSIONS (LxWxH)	REPLACEMENT METAL HALIDE
EXD930F60	1 MODULE	7600LM	1.4	5-8M	212x338x93mm	150W
EXD930F120	2 MODULE	14803LM	1.4	8-12M	337x338x93mm	250W-400W
EXD930F180	3 MODULE	22409LM	1.4	10-15M	464x338x93mm	250-400W
EXD930F240	4 MODULE	28035LM	1.4	15-20M	587x338x93mm	600W
EXD930F300	5 MODULE	38025LM	1.4	15-20M	711x338x93mm	600W-1000W