

**EM4000 RECESSED LED WHITEFLY**

Industrialight LED Whitefly is a non-maintained emergency light fitting suitable for commercial projects. The fitting is available in either D32 or D63 classification and with two different aperture size options. See the associated AS2293.1 lighting tables for emergency lighting spacing.

**ELECTRICAL PARAMETERS**

Input Voltage:	200-240VAC
Frequency:	50/60Hz
Power Consumption:	3W
LED Driver Classification:	Integral
Light Source Classification:	SMD 3535
Emergency Battery Backup:	2 Hours
Battery Classification:	LiFePO4 6.4V
Typical Luminous Flux:	220lm (D32) / 280lm (D63)
Protection Class:	Class II

**MECHANICAL SPECIFICATIONS**

IP Protection Rating:	IP20
Standard Trim Diameter:	80mm
Ceiling Cutout:	66-70mm Ceiling Cutout
Luminaire Depth:	30mm
Construction Material:	Fire Retardant
Glow Wire Test:	Cover: 850°C / Lens: 650°C
Standard Colour/Finish:	White RAL 9016
Net Weight:	0.4KG
Normal Carton Qty:	20PCS

**CUSTOM TRIM SIZES (BY SPECIAL REQUEST)**

- 140MM Trim Size Available by Special request
- 55MM Trim Size Available by Special request

**CONFIGURATION OPTIONS**

This product can be customised or configured according to the needs of your project. Dimming and control options are available by special request. Control protocols include DALI, Casambi, Wireless controls. Custom versions to suit computer monitored building systems are available by special request.

**COMPLIANCE & CERTIFICATION**

- Emergency Lighting Compliance
- Compliance Standard: AS2293
- Classification: D32 / D63

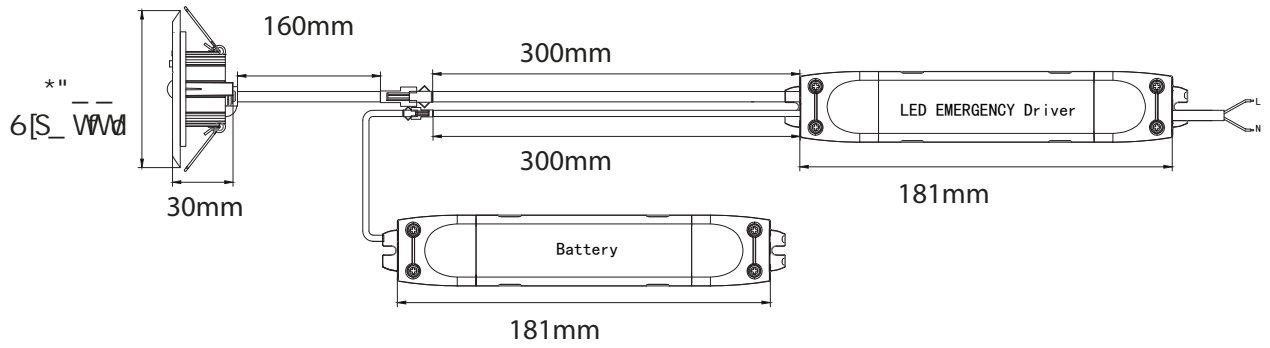
**ORDERING INFORMATION**

Model Number:	<b>EM4000</b>
Finish/Colour:	<b>White / Black / Custom</b>
CCT:	<b>5000K</b>
Emergency Classification:	<b>D32 / D63</b>
Diameter	<b>D80 80MM</b>
Compliance Standard:	<b>AS2293</b>

All product details are subject to change without notice. Final specifications may vary.

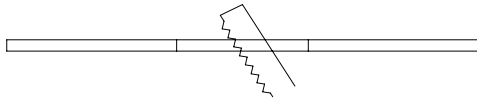


## TYPICAL DIMENSIONS



## INSTALLATION STEPS

FIG.1



cutout:  
D55 cover: 42-50mm  
D80 cover: 66-70mm  
D140 cover: 120-130mm

FIG.2

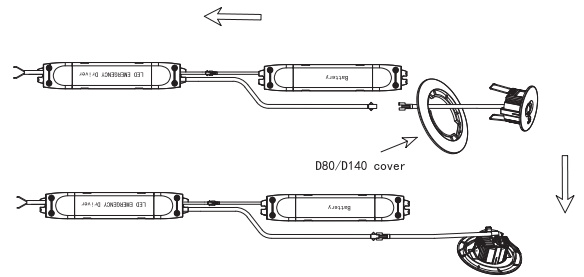


FIG.3

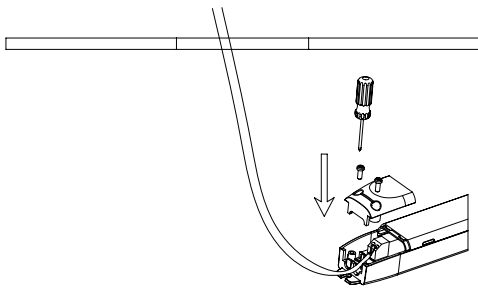


FIG.4

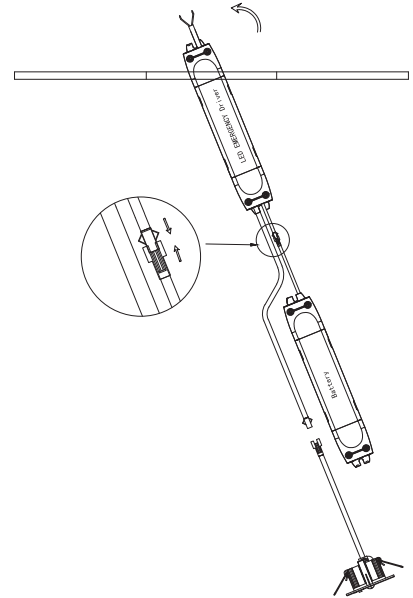


FIG.5

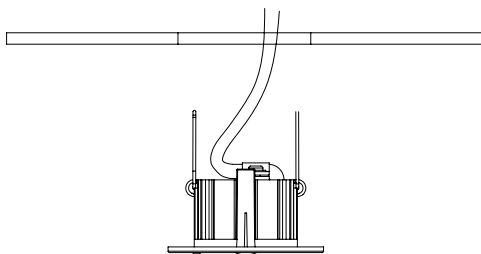
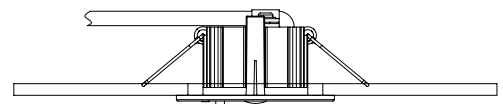


FIG.6



All product details are subject to change without notice. Final specifications may vary.