

## CP400 SURFACE MOUNT LED CEILING LUMINAIRE

The CP400 Canopy Luminaire is a versatile industrial grade lighting solution, constructed from durable die-cast aluminum housing, with a stylish powdercoated finish. Options plug-and-play sensor and customisable LED lighting optics. CP400 is an ideal choice for various applications, combining durability, efficiency, and aesthetic appeal in a single LED canopy luminaire.

### ELECTRICAL PARAMETERS

|                              |                           |
|------------------------------|---------------------------|
| Input Voltage:               | 90-305VAC                 |
| Power Consumption:           | 75W-200W                  |
| LED Driver Classification:   | Integral Constant Current |
| Light Source Classification: | Citizen 2835 SMD          |

### MECHANICAL SPECIFICATIONS

|                           |                              |
|---------------------------|------------------------------|
| Minimum IK Rating:        | IK09                         |
| IP Protection Rating:     | IP65                         |
| Fitting Recessed Depth:   | 450x450x140mm                |
| Construction Material:    | Aluminium                    |
| Standard Colour/Finish:   | UV Stabilised / Powdercoated |
| Recommended Ambient Temp: | -40°C - 50°C                 |



### CONFIGURATION OPTIONS

- Non standard colours available by special request
- Integrated sensor options by request
- Integral DALI dimmable LED driver available by request

### PHOTOMETRIC INFORMATION

|                         |                               |
|-------------------------|-------------------------------|
| Typical Lumen Efficacy: | 130lm/W                       |
| CCT Colour Temperature: | 3000K / 4000K / 5700K / 6500K |
| Colour Rendering (Ra):  | >85Ra                         |
| Beam Angle Options:     | 30°/60°/90°/120°              |

### CONTROL OPTIONS



This product can be customised or configured according to the needs of your project. Dimming and control options are available by special request. Control protocols include DALI, Casambi, Wireless, 1-10V, analogue dimming.



CASAMBI

### COMPLIANCE & CERTIFICATION

- IESNA2002 / TM30
- AS/NZS60598, LM79, LM80
- Lifespan: Exceeds 50,000hrs @ L70

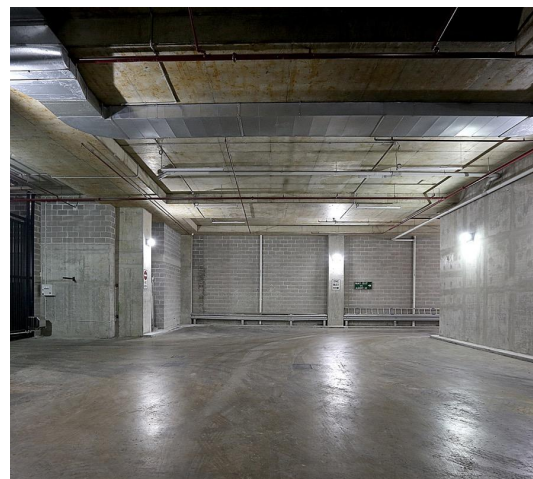


### ORDERING INFORMATION

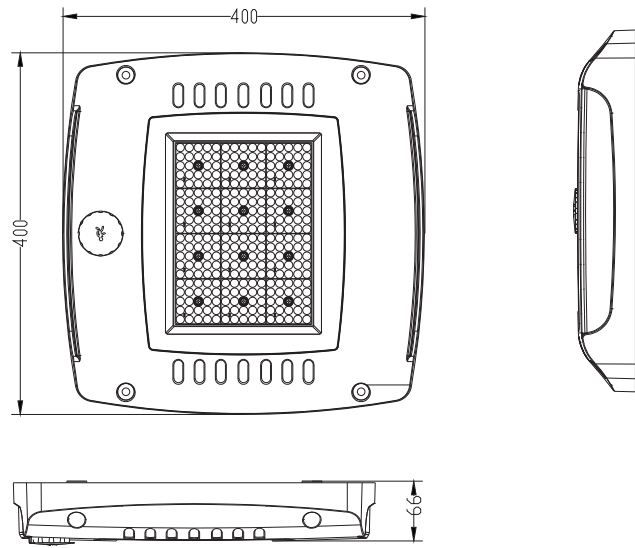
|                        |                                      |
|------------------------|--------------------------------------|
| Model Number:          | <b>CP400</b>                         |
| Specify LED CCT:       | <b>3000K / 4000K / 5700K / 6500K</b> |
| Specify Wattage:       | <b>75W / 120W / 150W / 200W</b>      |
| Specify Finish/Colour: | <b>White / Custom</b>                |
| Beam Angle Options:    | <b>30°/60°/90°/120°</b>              |
| Control Option:        | <b>Non-Dimmable / DALI / Sensor</b>  |

Some configurations may be subject to minimum order quantities.

All product details are subject to change without notice. Final specifications may vary.



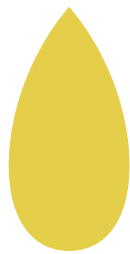
CP400 DIMENSIONS



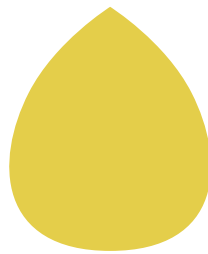
AVAILABLE OPTIC/BEAM ANGLE OPTIONS



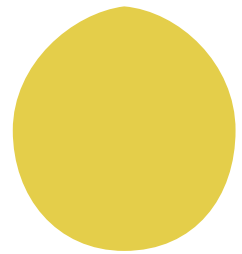
30°



60°



90°



120°

