

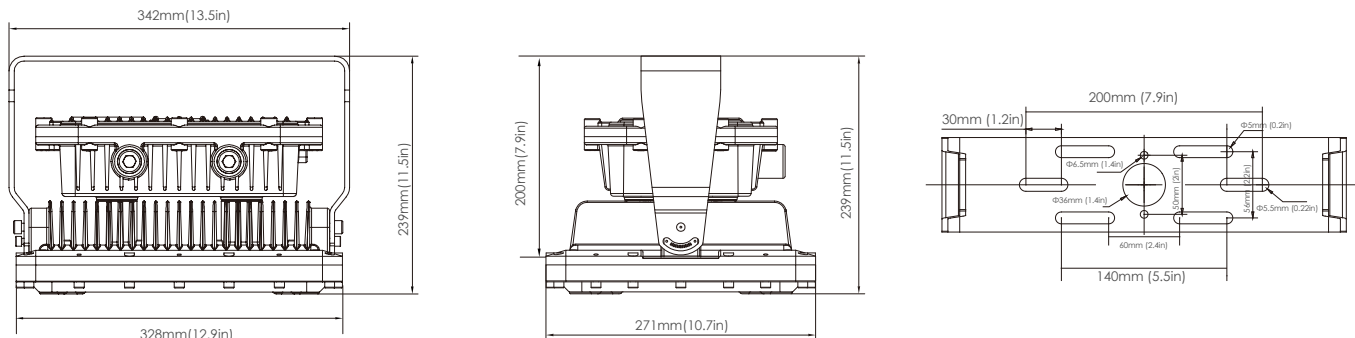




# EXD4200

Hazardous Location LED Luminaire

## Product Dimensions



Model	Net weight	Dimensions (L×W×H)	Gross weight	Dimensions (L×W×H)
EXD42080	15.2kg/33.5lbs	328×271×176mm 12.9×10.7×6.9in	16.2kg/35.7lbs	412×372×270mm 16.2×14.6×10.6in
EXD42100	15.3kg/33.7lbs		16.3kg/35.9lbs	
EXD42150	15.5kg/34.2lbs		16.5kg/36.4lbs	

## Mounting



Pole Type



Ceiling Type



Wall Type



With glare shield installed

## Technical Parameter

### Electrical

Specification		EXD-4280	EXD42100	EXD42150
Rated Power		80W	100W	150W
Input Voltage		AC120-277, 347-480V		
Input Frequency		50/60Hz		
Input Current	(AC120/277V)	0.63/0.29A	0.82/0.36A	1.7/0.54A
	(AC347/480V)	0.24/0.17A	0.29/0.21A	0.43/0.31A
Power Factor		≥0.95		
Driver Efficiency		≥90%		
Surge Protection		4kv		

### Optical

Specification				
Lumen Output		10400Lm	13000Lm	19500Lm
Lumens Per Watt			130Lm/W	
Beam Angle		25°/60°/120°		
Correlated Color Temperature (CCT)		3000K/4000K/5000K		
Color Rendering Index (CRI)		Ra>70		

### Environmental

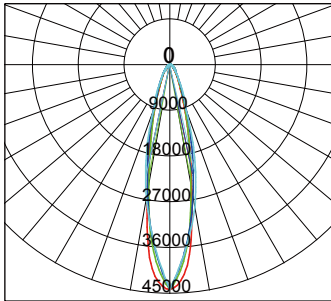
Specification				
Ambient Operating Humidity		5%~95% RH		
Ambient Operating Temperature		-25°C ≤ Ta ≤ +50°C		
Optimal Operating Temperature		25°C		

### Mechanical

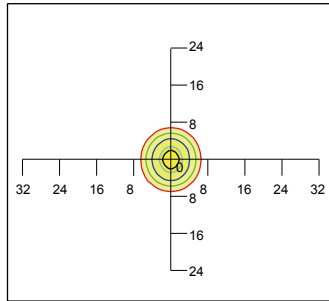
Specification				
Housing Material		Copper-free Aluminum		
Lens Material		Tempered glass(Diffused optional)		
Mounting Options		Pole, Ceiling,Wall		
IP Rating		IP65		
IK Rating		IK09		

## Photometric

### 25 Degree



- C0/180,22.4
- C30/210,21.5
- C60/240,23.7
- C90/270,25.8



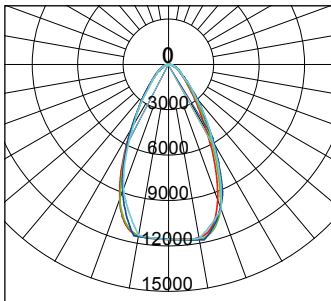
Mounting Height 33'(10m), 0 Tilt

**Illumination-25 Degree**

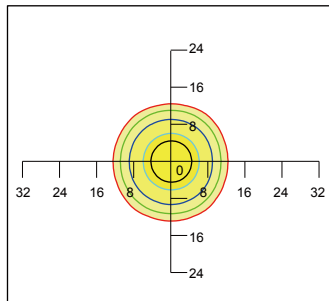
Height	Diameter	Eavg
6m	2.4m	1223Lux
8m	3.2m	688Lux
10m	4m	440Lux
12m	4.7m	305Lux
15m	5.9m	195Lux

Flux out: 5727 lm

### 60 Degree



- C0/180,56.0
- C30/210,56.7
- C60/240,58.4
- C90/270,56.9



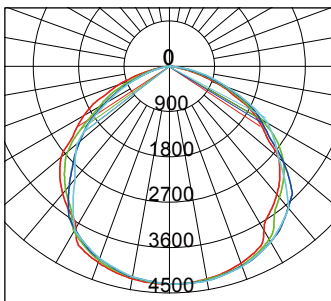
Mounting Height 33'(10m), 0 Tilt

**Illumination-60 Degree**

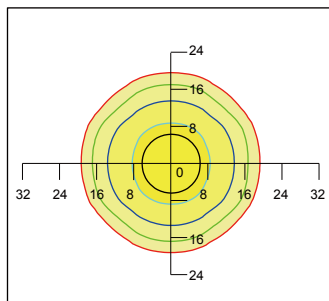
Height	Diameter	Eavg
2m	2.3m	2294Lux
4m	4.6m	573Lux
6m	6.9m	254Lux
8m	9.2m	143Lux
10m	11.5m	91Lux

Flux out: 9609 lm

### 120 Degree



- C0/180,114.5
- C30/210,114.1
- C60/240,110.6
- C90/270,113.2



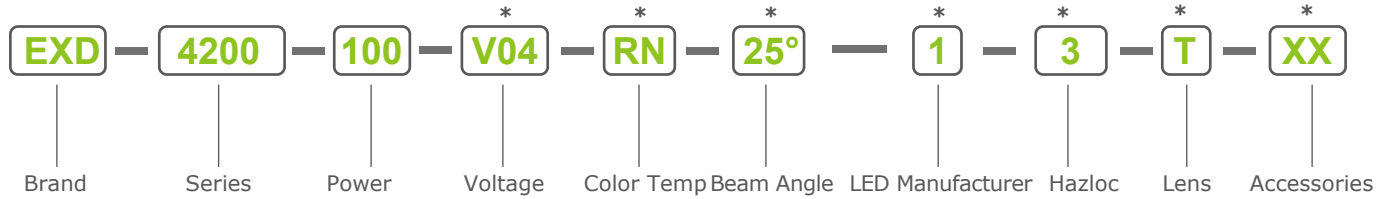
Mounting Height 33'(10m), 0 Tilt

**Illumination-120 Degree**

Height	Diameter	Eavg
2m	6m	491Lux
4m	12m	122Lux
6m	18.1m	54Lux
8m	24.1m	30Lux
10m	30.2m	19Lux

Flux out: 14639 lm

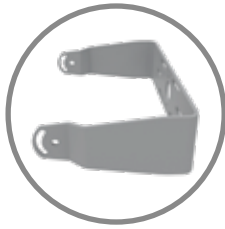
## Ordering Information and Mounting Accessories



\*: Suffix not within nomenclature as per Certification, for marketing purpose only

<u>TYPE</u>	<u>SERIES</u>	<u>POWER</u>	<u>VOLTAGE</u>	<u>LED MANUFACTURER</u>	<u>HAZLOC</u>
EXD	4200	080=80W 100=100W 150=150W	V01= AC100-240/277V V04= AC347-480V	0= CREE XPG-3 1= OSRAM OSOLON SQUARE M2	3=Zone1,Zone21

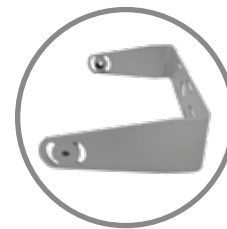
<u>COLOR TEMP</u>	<u>BEAM ANGLE</u>	<u>LENS</u>	<u>ACCESSORIES</u>
RN= 3000K (Warm White) RL= 4000K (Neutral White) RZ= 5000K (Neutral White)	25°=25° 60°=60° 120°=120°	T=Transparent glass	UB01=Stainless steel U-Bracket UB03=Anti-vibration U-bracket UB04=360Deg rotation U-bracket SN01=Stanchion SP01=10kv Surge Protector WG01=Stainless Steel Wire guard SC01=Stainless Steel Safety Cable kit LS05=Glare Shield



**UB01**  
Ceiling/Wall Type  
Stainless steel U-Bracket



**UB03**  
Anti-vibration  
U-bracket



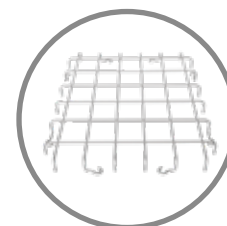
**UB04**  
360Deg rotation  
U-bracket



**SN01**  
Pole Type  
Stanchion



**SP01**  
10KV Surge Protector



**WG01**  
Stainless Steel  
Wire guard



**SC01**  
Stainless Steel  
Safety Cable kit



**LS05**  
Glare Shield  
Stainless Steel SUS304

